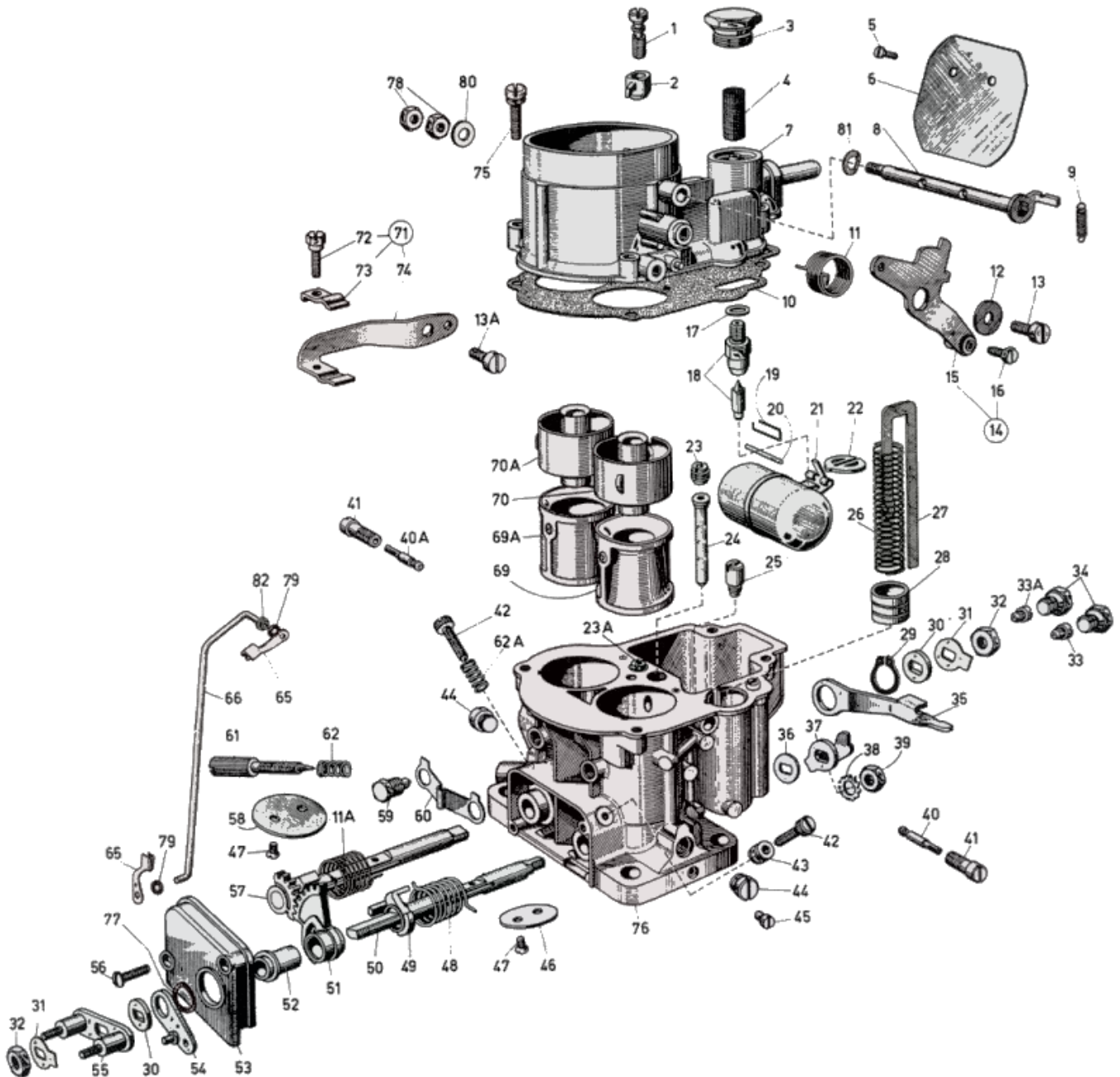




WEBER 24/32 DDC - exploded view



<https://www.carbparts.eu>

Prices and product availability are subject to change



CarbDeal
Selling carburetor parts since 2005



WEBER 24/32 DDC - Parts list

No	Part No	Price	Pcs	Description	No	Part No	Price	Pcs	Description
1	64290.005	€ 16.2	1	Pump Delivery Valve	40	41160.001	€ 6.2	1	Idle jet
2	41252.004	€ 13.7	1	Pump jet	41	52570.003	€ 14.7	2	Idle Jet Holder
3	61002.013	€ 0	1	Fuel Filter Inspection Cover	42	64585.005	€ 0	2	Throttle stop screw
4	37020.002	€ 4.9	1	Fuel Filter Element	43	34720.004	€ 0	1	Nut
5	64570.007	€ 2.3	2	Throttle Plate Screw	44	61015.009	€ 5	2	Inspection Screw
6	64010.012	€ 0	1	Choke throttle valve	45	61015.004	€ 6.9	1	Inspection Screw
7	31716.030	€ 0	1	Carburetor Top Cover	46	64005.010	€ 0	1	Throttle Valve
8	10015.215	€ 0	1	Choke shaft	47	64570.008	€ 2.3	4	Throttle Plate Screw
9	47605.008	€ 0	1	Choke automaticity spring	48	47610.029	€ 0	1	Shaft return spring
10	41705.003	€ 0	1	Carburetor Cover Gasket	49	58162.001	€ 0	1	Lever
11	47610.003	€ 4.9	1	Choke lever return spring	50	10001.436	€ 0	1	Primary Throttle Shaft - Oversized
11	47610.003	€ 4.9	1	Choke lever return spring	50	10000.454	€ 0	1	Primary Throttle Shaft
12	55510.002	€ 1.4	1	Normal washer	51	58202.007	€ 0	1	Throttle Shaft Gear
13	64700.012	€ 2.8	1	Lever Fixing Screw	52	12775.035	€ 0	1	Bushing
13	64700.012	€ 2.8	1	Lever Fixing Screw	53	32464.006	€ 0	1	Toothed Sector Box Cover
14	45202.007	€ 0	1	Choke Lever - Including	54	45027.021	€ 0	1	Lever
15	45202.006	€ 0	1	— Choke Lever	55	45089.002	€ 0	1	Pivot Lever
16	64615.004	€ 0	1	— Screw securing wire	56	64570.003	€ 0	2	Screw, Toothed Sector Cover Box
17	41535.015	€ 0	1	Needle valve gasket	57	10016.432	€ 0	1	Secondary Throttle Shaft Oversized
18	64235.009	€ 0	1	Float valve	57	10015.404	€ 0	1	Secondary Throttle Shaft
19	47620.001	€ 0	1	Needle valve clip	58	64005.031	€ 0	1	Throttle Valve
20	52000.010	€ 1.8	1	Float Fulcrum Pin	59	64840.005	€ 0	2	Air bleed screw
21	41015.001	€ 0	1	Float	60	52155.002	€ 0	1	Lock Tab
22	52140.007	€ 6.2	1	Plunger Spring Retaining Plate	61	64750.006	€ 15.8	1	Air Adjusting Screw
23	41360.001	€ 2.1	1	Air bleed jet	62	47600.007	€ 2.2	1	Idle Mixture Screw Spring
23	41360.001	€ 2.1	1	Air bleed jet	62	47600.007	€ 2.2	1	Idle Mixture Screw Spring
24	61440.341	€ 13.9	2	Emulsion tube	65	47670.001	€ 0	2	Rod Clamp
25	64290.001	€ 6.6	1	Back bleed valve	66	61280.002	€ 0	1	Rod
26	47600.081	€ 4.6	1	Accelerator Pump Spring	69	34904.009	€ 0	1	Choke tube
27	10400.012	€ 9.3	1	Pump Rod	69	34894.011	€ 0	1	Choke tube
28	58602.005	€ 10.8	1	Pump plunger	70	31866.006	€ 0	1	Auxiliary venturi
29	10140.301	€ 0	1	Locking Ring	70	31866.006	€ 0	1	Auxiliary venturi
30	55555.007	€ 0	2	Shaft Spacer	71	58702.001	€ 0	1	Sheat support Assy. including:
31	55520.002	€ 1	2	Shaft Lock Tab	72	64615.007	€ 0	1	— Screw securing wire
32	34715.014	€ 1	2	Throttle Spindle Nut	73	52145.001	€ 0	1	— Sheat securing plate
33	41120.001	€ 2.7	1	Main jet	74	58700.003	€ 0	1	— Sheat Support
33	41120.001	€ 2.7	1	Main jet	75	64700.005	€ 0.5	4	Top Cover Fixing Screw
34	61002.014	€ 0	2	Main jet cover	76	-	€ 0	1	Carburetor Body
35	45067.003	€ 0	1	Fast idling loose lever	77	55530.002	€ 3	1	Wavy Washer
36	55555.003	€ 1.9	1	Shaft Spacer	78	34705.001	€ 0.8	2	Nut
37	14850.004	€ 0	1	Pump Cam	79	41565.010	€ 0	2	Idle Mixture Screw O Ring
38	55535.003	€ 0	1	Washer External Tooth	80	55510.046	€ 1.4	1	Washer for loose lever
39	34705.004	€ 0.6	1	Fixing Nut	81	55530.003	€ 0	1	Wavy Washer
40	41160.001	€ 6.2	1	Idle jet	82		€ 0		

<https://www.carbparts.eu>

Prices and product availability are subject to change

