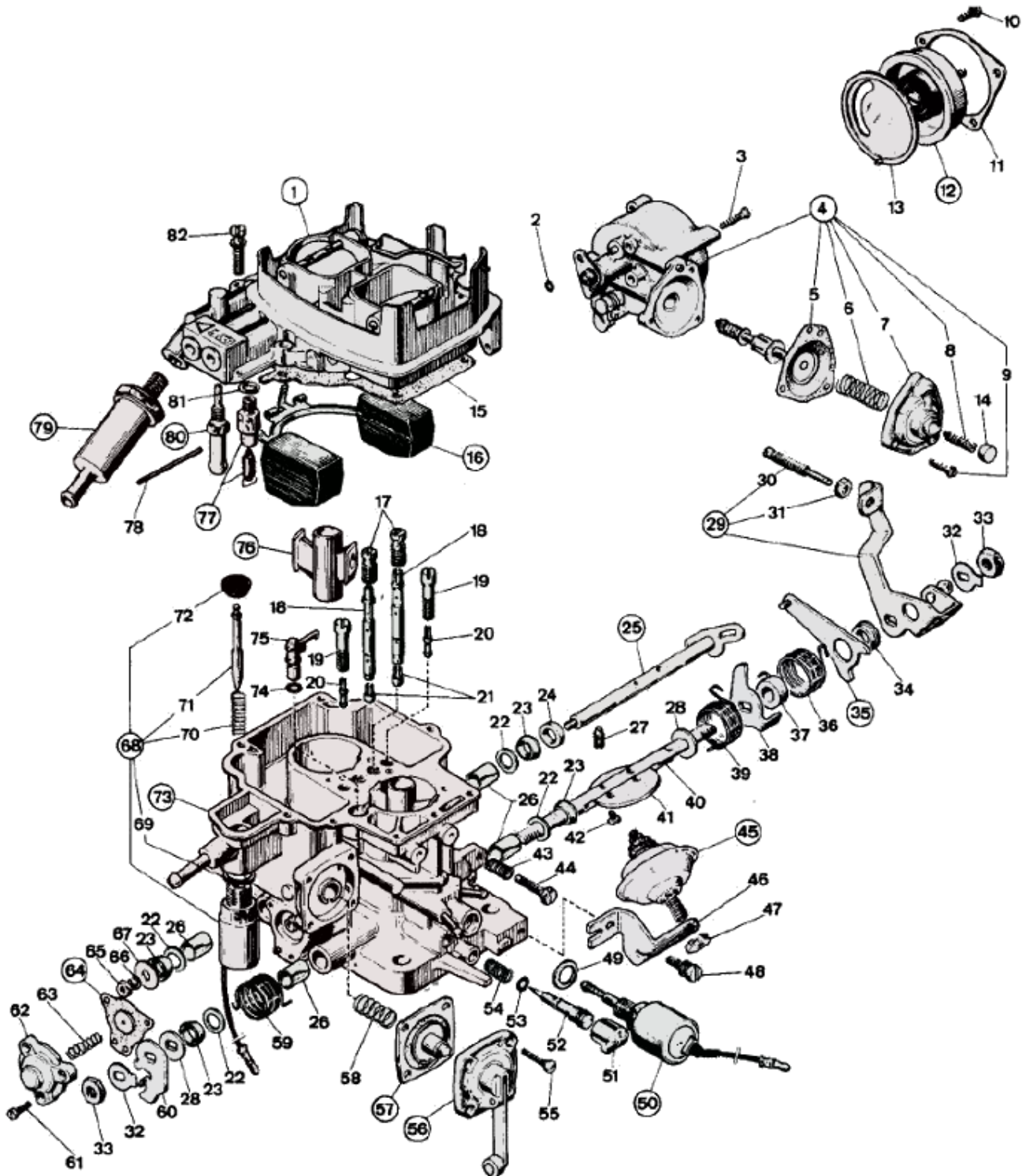


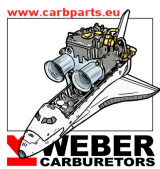


## WEBER 32/34 DFT - exploded view



<https://www.carbparts.eu>

Prices and product availability are subject to change



**CarbDeal**  
Selling carburetor parts since 2005



## WEBER 32/34 DFT - Parts list

No	Part No	Price	Pcs	Description	No	Part No	Price	Pcs	Description
1	Not Serviced	€ 0	1	Top Cover Assembly	42	64520.027	€ 0.6	4	Throttle Plate Fixing Screw
2	41565.008	€ 0.8	1	Auto Choke O-Ring Seal	43	47600.007	€ 2.2	1	Spring Primary Throttle Lever
3	64565.001	€ 0	3	Auto Choke Fixing Screw	44	64625.012	€ 5.4	1	Primary Throttle Adjusting Screw
4	57804.400	€ 0	1	Auto Choke Assy. Including	45	10104.001	€ 0	1	Dash Pot
5	47407.159	€ 0	1	Choke Diaphragm	46	Not Serviced	€ 0	1	Dash Pot Bracket
6	Not Serviced	€ 0	1	Diaphragm Loading Spring	47	34715.008	€ 0	1	Dash Pot Fixing Nut
7	Not Serviced	€ 0	1	Diaphragm Cover	48	Not Serviced	€ 0	1	Dash Pot Bracket Fixing Screw
8	Not Serviced	€ 0	1	Diaphragm Adjusting Screw	49	41535.003	€ 1.7	1	Idle Cut Off Solenoid Gasket
9	Not Serviced	€ 0	3	Diaphragm Cover Fixing Screw	50	43840.014	€ 0	1	Idle Cut Off Solenoid
10	64615.005	€ 0	3	Plate Fixing Screw	51	Not Serviced	€ 0	1	Mixture Screw Tamper Proof Plug
11	52135.029	€ 2.3	1	Thermostat Housing Lock Ring	52	64750.051	€ 12	1	Idle Mixture Adjusting Screw
12	57804.416	€ 0	1	Thermostat Housing	53	41565.001	€ 0	1	Mixture Screw O-Ring Seal
13	41640.056	€ 0	1	Heat Sealing Gasket	54	47600.095	€ 2.4	1	Idle Mixture Screw Spring
14	Not Serviced	€ 0	1	Screw Plug	55	64565.001	€ 0	4	Pump Cover Fixing Screw
15	41705.057	€ 0	1	Carburetor Cover Gasket	56	Not Serviced	€ 0	1	Pump Cover
16	41030.012	€ 0	1	Float	57	47407.261	€ 9.4	1	Pump Diaphragm
17	77501	€ 5	2	Air Correction Jet	58	47600.107	€ 6.3	1	Pump Loading Spring
18	61450	€ 24.2	2	Emulsion Tube	59	47610.012	€ 4.4	1	Primary Shaft Return Spring
19	52570.004	€ 6.7	2	Idle Jet Holder	60	Not Serviced	€ 0	1	Pump Cam
20	74403	€ 2.5	2	Idle Jet	61	Not Serviced	€ 0	3	Power Valve Cover Fixing Screw
21	73405	€ 3.3	2	Main Jet	62	Not Serviced	€ 0	1	Power Valve Cover
22	55510.087	€ 0	4	Carb Washer	63	47600.131	€ 0	1	Power Valve Diaphragm Spring
23	52130.010	€ 3.3	4	Shaft Bearing Plate	64	47407.156	€ 0	1	Power Valve Diaphragm
24	12750.085	€ 2.7	1	Spacer	65	34705.001	€ 0.8	1	Secondary Shaft Fixing Nut
25	10015.255	€ 0	1	Secondary Shaft	66	55525.001	€ 0	1	Spring Washer
26	52130.010	€ 3.3	4	Shaft Bearing Plate	67	Not Serviced	€ 0	1	Washer
27	Not Serviced	€ 0	1	Secondary Throttle Adjusting Screw	68	92.4052.05	€ 0	1	EVAP Solenoid Includes
28	55555.019	€ 1.4	2	Washer	69	41535.009	€ 0	1	Gasket
29	Not Serviced	€ 0	1	Throttle Valve Control Lever Including	70	Not Serviced	€ 0	1	Spring
30	64595.025	€ 0	1	Fast Idle Adjusting Screw	71	Not Serviced	€ 0	1	Spindle
31	34715.018	€ 0	1	Adjusting Screw Fixing Nut	72	Not Serviced	€ 0	1	Sealing Valve
32	55520.002	€ 1	2	Lock Washer	73	Not Serviced	€ 0	1	Carburetor Body
33	34715.014	€ 1	2	Primary Shaft Fixing Nut	74	41565.002	€ 0.4	1	Pump Jet O-Ring
34	47610.109	€ 0	1	Bushing For Free Lever	75	76407	€ 12.4	1	Pump Jet
35	45069.015	€ 0	1	Free Lever	76	71115	€ 0	2	Auxiliary Venturi
36	47610.109	€ 0	1	Spring For Free Lever	77	79519	€ 0	1	Needle Valve
37	12750.087	€ 0	1	Spacer	78	52000.036	€ 1.8	1	Float Fulcrum Pin
38	Not Serviced	€ 0	1	Primary Throttle Control Lever	79	37022.005	€ 4.2	1	Strainer
39	47610.118	€ 0	1	Primary Shaft Return Spring	80	10525.032	€ 0	1	Return Fuel Line Pipe
40	Not Serviced	€ 0	1	Primary Shaft	81	83102.070	€ 1.6	1	Needle Valve Gasket
41	64005.090	€ 15.4	1	Primary Throttle Plate	82		€ 0		

<https://www.carbparts.eu>

Prices and product availability are subject to change

