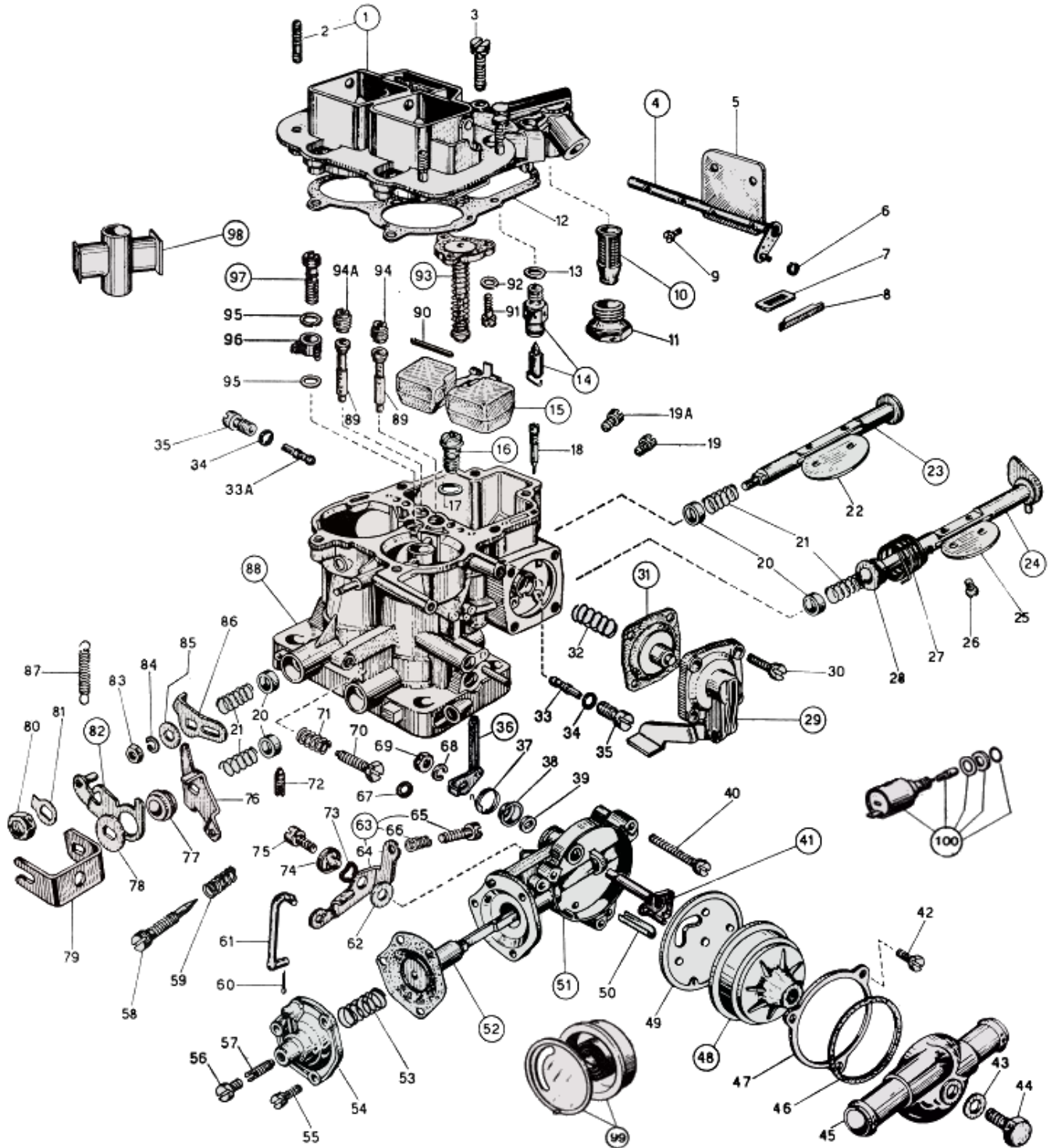




WEBER 32/36 DGAV/DGEV - exploded view



<https://www.carbparts.eu>

Prices and product availability are subject to change



CarbDeal
Selling carburetor parts since 2005



WEBER 32/36 DGAV/DGEV - Parts list

No	Part No	Price	Pcs	Description	No	Part No	Price	Pcs	Description
1	31716.166	€ 0	1	Carburetor Cover Assy.	50	52130.012	€ 7.3	1	
2	64955.002	€ 7.4	4	Stud Bolt	51	57804.074	€ 21.2	1	Auto Choke Body Assy.
3	64700.001	€ 0.5	6	Carb Cover Fixing Screw	52	47407.056	€ 12.5	1	Choke Diaphragm Assy.
4	10020.221	€ 19.2	1	Choke Shaft & Lever Assy.	53	47600.141	€ 6.3	1	Diaphragm Loading Spring
5	64010.007	€ 7.5	2	Starting Throttle Valve	54	32384.020	€ 15	1	Auto Choke Cover
6	10140.501	€ 1.6	1	Spring Ring	55	64700.007	€ 0	3	Auto Choke Cover Fixing Screw
7	52135.018	€ 2.9	1	Dust Seal Plate	56	61015.003	€ 0	1	Screw Plug
8	61070.002	€ 2.9	1	Dust Seal Plug	57	64595.005	€ 9.1	1	Diaphragm Adjusting Screw
9	64525.003	€ 0	4	Choke Plate Fixing Screw	58	64750.025	€ 4.2	1	Idle Adjusting Screw
10	37022.010	€ 3.7	1	Strainer Assy.	59	47600.007	€ 2.2	1	Spring For Idle Adjusting Screw
11	61002.018	€ 7.5	1	Strainer Inspection Plug	60	32610.005	€ 1.4	1	Split Pin
12	41705.035	€ 2.5	1	Carb Cover Gasket	61	61280.082	€ 7.3	1	Fast Idling Control Rod
13	83102.070	€ 1.6	1	Needle Valve Gasket	62	55510.003	€ 9.3	1	Washer For Loose Lever
14	79519	€ 0	1	Needle Valve Assy.	63	45041.053	€ 15.9	1	Fast Idling Loose Lever Assy. Including
15	41030.019	€ 44.2	1	Float Assy.	64	45039.056	€ 15	1	Lever
16	64235.016	€ 12.5	1	Full Power Needle Valve Assy.	65	64590.004	€ 4.6	1	Screw
17	41530.013	€ 0	1	Power Valve Gasket	66	47600.007	€ 2.2	1	Spring
18	64900.001	€ 7.5	1	Pump Discharge Blanking Needle	67	41565.008	€ 0.8	1	Auto Choke O-Ring Seal
19	73801	€ 2.7	1	Primary Main Jet	68	Not Serviced	€ 0	1	Spring Washer
19A	73801	€ 2.7	1	Secondary Main Jet	69	Not Serviced	€ 0	1	Throttle Shaft Fixing Nut
20	12750.085	€ 2.7	4	Shaft Retaining Bushing	70	64625.017	€ 8.8	1	Primary Throttle Adjusting Screw
21	47600.027	€ 0	4	Bushing Retaining Spring	71	47600.007	€ 2.2	1	Spring For Throttle Adjusting Screw
22	64005.034	€ 15.4	1	Secondary Throttle Valve	72	64595.005	€ 9.1	1	Secondary Throttle Adjusting Screw
23	10015.492	€ 0	1	Secondary Shaft	73	55530.005	€ 3.7	1	Wavy Washer for Loose Lever
23A	10016.477	€ 0	1	Secondary Shaft Oversized	74	12765.042	€ 9.3	1	Bushing For Loose Lever
24	10015.493	€ 0	1	Primary Shaft	75	64700.014	€ 0.9	1	Loose Lever Fixing Screw
25	64005.090	€ 15.4	1	Primary Throttle Valve	76	45046.016	€ 0	1	Primary Throttle Control Lever
26	64520.023	€ 2.8	4	Throttle Plate Fixing Screw	77	12765.002	€ 0	1	Bushing For Loose Lever
27	47610.079	€ 4.9	1	Shaft Return Spring	78	55510.061	€ 1.9	1	Washer For Loose Lever
28	12765.047	€ 0	1	Spacer	79	45136.029	€ 15.9	1	Throttle Valve Control Lever
29	32486.076	€ 0	1	Accelerator Pump Cover Assy.	80	34715.014	€ 1	1	Throttle Shaft Fixing Nut
30	64700.006	€ 0	4	Pump Cover Fixing Screw	81	55520.002	€ 1	1	Lock Washer
31	47407.249	€ 7.5	1	Accelerator Pump Diaphragm Assy.	82	45069.011	€ 0	1	Loose Lever Assy.
32	47600.092	€ 0	1	Pump Loading Spring	83	34705.001	€ 0.8	1	Secondary Shaft Fixing Nut
33	74403	€ 2.5	1	Primary Idle Jet	84	55525.001	€ 0	1	Spring Washer
33A	74403	€ 2.5	1	Secondary Idle Jet	85	55510.046	€ 1.4	1	Washer For Loose Lever
34	41565.002	€ 0.4	2	Gasket For Idling Jet Holder	86	45032.124	€ 10.2	1	Secondary Throttle Control Lever
35	52570.006	€ 6.2	2	Idling Jet Holder	87	47605.010	€ 4.9	1	Spring For Loose Lever
36	45034.090	€ 15	1	Choke Control Lever Assy.	88	Not Serviced	€ 0	1	Carburetor Body
37	47610.008	€ 11.2	1	Spring For Fast Idle Cam	89	61440	€ 13.9	1	Primary Emulsion Tube
38	58000.018	€ 11.2	1	Spring Retaining Cover	89A	61440	€ 13.9	1	Secondary Emulsion Tube
39	55555.029	€ 7.3	1	Washer For Shaft	90	52000.015	€ 1.8	1	Float Fixing Pin
40	64700.008	€ 5.6	3	Choke Fixing Screw	91	64700.007	€ 0	3	Control Valve Retaining Screw
41	10085.033	€ 15	1	Auto Chok Shaft & Lever Assy.	92	55510.038	€ 0	3	Washer For Control Valve Screw
42	64615.005	€ 0	3	Plate Screw	93	57804.097	€ 61.2	1	Carb Power Valve Assy.
43	41530.002	€ 1.8	1	Washer For Water Cover Fixing Screw	94A	77201	€ 2.1	1	Secondary Air Corrector Jet
44	64610.014	€ 6.5	1	Water Cover Fixing Screw	94	77201	€ 2.1	1	Primary Air Corrector Jet
45	32444.005	€ 55.8	1	Auto Choke Water Chamber	95	41540.014	€ 2.4	2	Pump Jet Gasket
46	41555.001	€ 0.4	1	Water Chamber Seal Gasket	96	76226	€ 9.2	1	Accelerator Pump Jet
47	52135.006	€ 3.8	1	Thermostat Assy. Locking Ring	97	64290.024	€ 16.2	1	Pump Delivery Valve Assy.
48	57804.139	€ 11.2	1	Auto Choke Thermostat Assy.	98	71111	€ 0	2	Auxiliary Venturi
48A	57804.333	€ 11.2	1	Electric Choke Assy.	99	57804.509	€ 0	1	Choke Device 36-41, 50-57, 68, 69
49	41640.005	€ 2.9	1	Gasket For Auto Choke Body	100	43928.060	€ 55.9	1	Idle Cut Off Solenoid

<https://www.carbparts.eu>

Prices and product availability are subject to change

