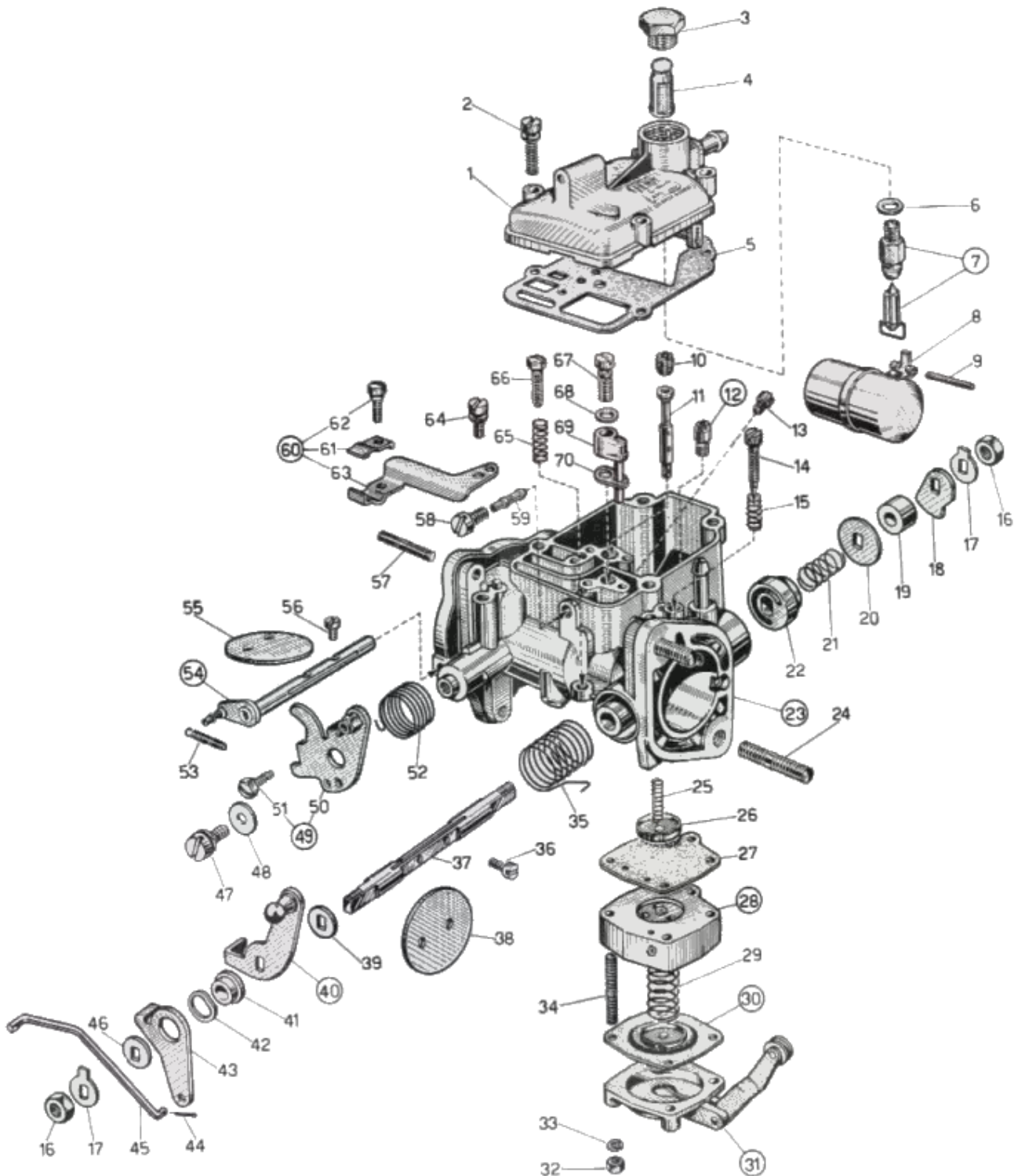


**CarbDeal**

Selling carburetor parts since 2005



## WEBER 32 OF - exploded view



<https://www.carbparts.eu>

Prices and product availability are subject to change



**CarbDeal**  
Selling carburetor parts since 2005



## WEBER 32 OF - Parts list

No	Part No	Price	Pcs	Description	No	Part No	Price	Pcs	Description
1	31736.002	£ 0	1	Carburetor top cover	37	10001.445	£ 0	1	Primary Throttle Shaft - Oversized
2	64700.005	£ 0.5	4	Top Cover Fixing Screw	37	10000.415	£ 0	1	Throttle Shaft
3	61002.018	£ 6.5	1	Fuel Filter Cover	38	64005.092	£ 0	1	Throttle Valve
4	37022.002	£ 3.2	1	Filter element	39	55555.016	£ 1.7	1	Shaft Spacer
5	41715.004	£ 0	1	Top Cover Gasket	40	45034.023	£ 0	1	Throttle Valve Control Lever
6	41535.015	£ 0	1	Needle valve gasket	41	12775.027	£ 7.7	1	Bushing For Lever
7	64240.008	£ 0	1	Float valve	42	55530.002	£ 0	1	Wavy Washer
8	41015.011	£ 0	1	Float	43	45032.038	£ 0	1	Fast idling loose lever
9	52000.010	£ 1.6	1	Float Fulcrum Pin	44	32610.005	£ 1.2	1	Spill pin
10	41360.001	£ 1.8	1	Air bleed jet	45	61280.032	£ 0	1	Tie rod
11	61440.166	£ 25	1	Emulsion tube	46	55555.003	£ 1.7	1	Washer For Shaft
12	64290.001	£ 5.7	1	Back bleed valve	47	64700.012	£ 2.4	1	Lever Fixing Screw
13	41120.001	£ 2.3	1	Main jet	48	55510.002	£ 1.3	1	Spring Washer
14	64750.001	£ 2.2	1	Idle Mixture Screw	49	45202.002	£ 0	1	Lever
15	47600.007	£ 1.9	1	Idle Mixture Screw Spring	50	45202.001	£ 0	1	— Throttle Lever
16	34715.014	£ 0.9	2	Throttle Spindle Nut	51	64615.004	£ 0	1	- Screw securing wire
17	55520.002	£ 0.9	2	Shaft Lock Tab	52	47610.058	£ 0	1	Lever return spring
18	14850.029	£ 0	1	Pump Cam	53	47605.023	£ 0	1	Choke return spring
19	12750.040	£ 0	1	Shaft Distance Piece	54	10015.212	£ 0	1	Choke shaft
20	55555.008	£ 0	1	Primary Shaft Distance Washer	55	64005.009	£ 0	1	Choke throttle valve
21	47600.027	£ 3.2	1	Bush retaining spring	56	64525.003	£ 0	2	Choke plate fixing screw
22	50002.003	£ 0	1	Shaft Bushing	57	64955.103	£ 0	3	Stud
23		£ 0	1	Carburetor body	58	52570.005	£ 5.5	1	Idle Jet Holder
24	64955.201	£ 0	2	Stud	59	41160.003	£ 2.2	1	Idle jet
25	47600.023	£ 0	1	Diaphragm Loading Spring	60	58702.004	£ 0	1	Supporto guaina completo di :
26	64190.005	£ 0	1	Pump Valve	61	52145.001	£ 0	1	Sheat securing plate
27	47405.012	£ 0	1	Pump Diaphragm	62	64615.007	£ 0	1	- Screw securing wire
28	39174.003	£ 0	1	Pump Body	63	58700.001	£ 0	1	— Sheat Support
29	47600.028	£ 4.3	1	Diaphragm Loading Spring	64	64700.012	£ 2.4	1	Lever Fixing Screw
30	47407.012	£ 0	1	Pump diaphragm	65	47600.007	£ 1.9	1	Idle Mixture Screw Spring
31	32486.011	£ 0	1	Accelerator Pump Cover	66	64625.007	£ 0.1	1	Throttle Adjustment Screw
32	34705.002	£ 0	4	— Cold Start Nut	67	64890.003	£ 0	1	Pump demand valve
33	55525.007	£ 0.7	4	Spring Washer	68	41530.012	£ 0	1	Pump jet gasket
34	64955.017	£ 0	4	Stud	69	41254.005	£ 0	1	Pump jet
35	47610.013	£ 0	1	Throttle Return Spring	70	41640.033	£ 0	1	Pump Jet Gasket
36	64520.023	£ 2.4	2	Throttle Plate Screw					

<https://www.carbparts.eu>

Prices and product availability are subject to change

