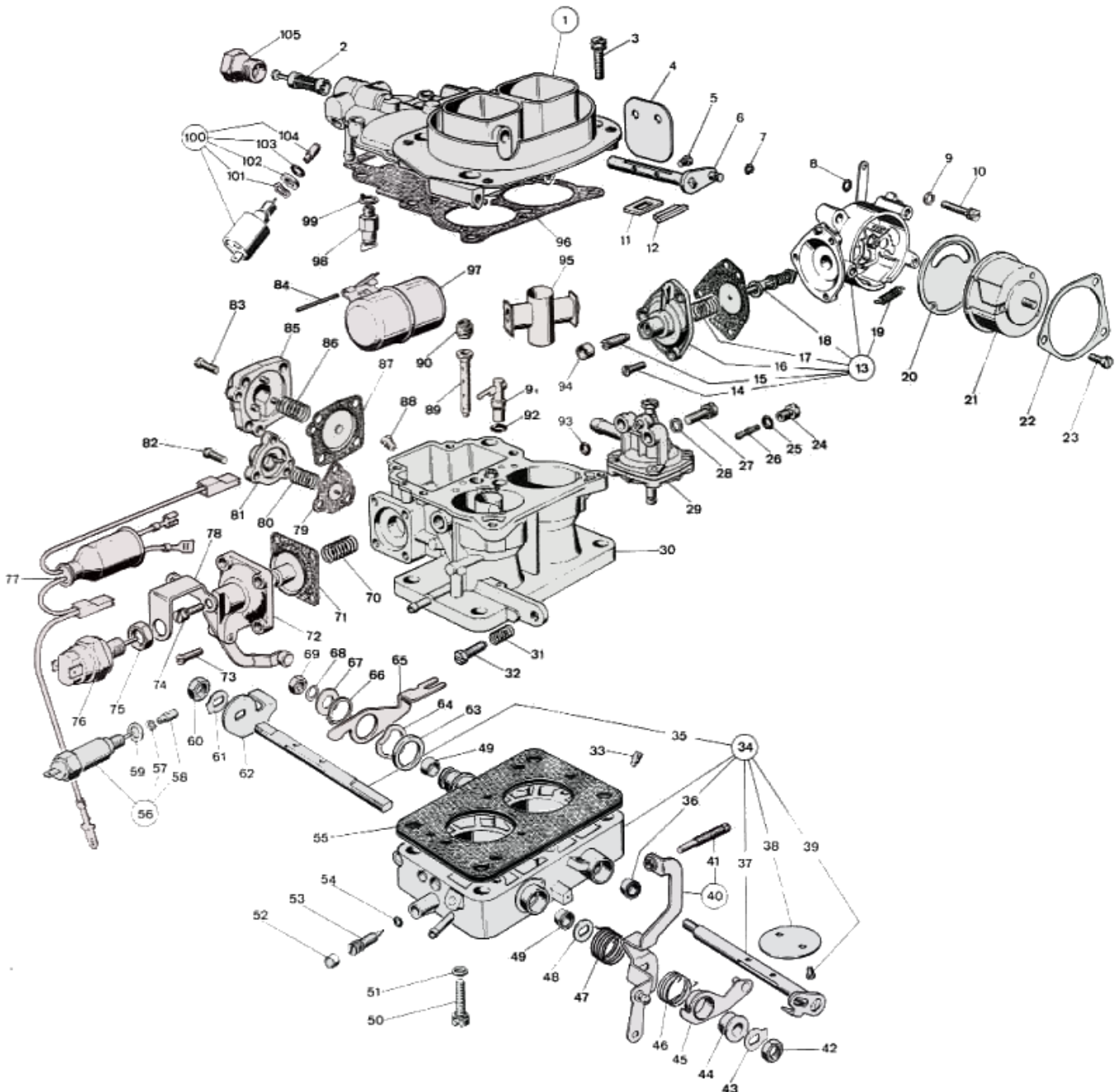


CarbDeal
Selling carburetor parts since 2005

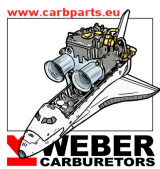


WEBER 34 ADM 0 - exploded view



<https://www.carbparts.eu>

Prices and product availability are subject to change



CarbDeal
Selling carburetor parts since 2005



WEBER 34 ADM 0 - Parts list

No	Part No	Price	Pcs	Description	No	Part No	Price	Pcs	Description
1	31716.461	€ 0	1	Carb Top Cover	56	43914.060	€ 0	1	Idle Cut Off Solenoid
2	37022.004	€ 7	1	Filter element	57	55530.020	€ 0	1	— Rosetta ondulata
3	64700.005	€ 0.5	6	Top Cover Fixing Screw	58	74409.060	€ 2.9	1	— Idle jet
4	64010.034	€ 0	1	Choke throttle valve	59	41535.024	€ 0	1	Guarnizione Intercettatore minimo
5	64525.003	€ 0	2	Choke plate fixing screw	60	34710.003	€ 1	1	Throttle Shaft Nut
6	10015.274	€ 12.1	1	Choke shaft	61	55520.004	€ 1	1	Throttle Shaft Lock Washer
7	10140.501	€ 1.6	1	Locking Ring	62	14850.140	€ 0	1	Pump Cam
8	41565.008	€ 0.8	1	O ring	63	12750.103	€ 0	1	Boccola distanziale leva allentata
9	55510.034	€ 0.4	2	Lock Washer	64	55530.014	€ 0	1	Rosetta ondulata leva allentata minimo accel.
10	64700.001	€ 0.5	2	Fixing Screw	65	45067.048	€ 0	1	Leva allentata comando mimmo accelerato
11	52135.018	€ 2.9	1	Dust seal plate	66	10140.304	€ 0	1	Anello elastico ritegno leva allentata
12	61070.002	€ 2.9	1	Dust seal plug	67	55510.081	€ 1.9	1	Washer For Shaft
13	57804.446	€ 0	1	Auto Choke Assy. Including	68	55525.001	€ 0	1	Spring Washer
14	64560.004	€ 0	3	— Diaphragm cover fixing screw	69	34705.001	€ 0.8	1	Secondary shaft fixing nut
15	64595.005	€ 9.1	1	— Diaphragm adjusting screw	70	47600.092	€ 0	1	Pump Spring
16	32384.060	€ 0	1	— Diaphragm cover	71	47407.146	€ 0	1	Pump diaphragm
17	47600.229	€ 0	1	— Diaphragm loading spring	72	32486.084	€ 0	1	Accelerator Pump Cover
18	47407.226	€ 0	1	— Choke diaphragm	73	64565.001	€ 0	2	Screw
19	47605.030	€ 0	1	- Return Spring	74	64700.019	€ 0	2	Pump Cover Screw
20	41640.052	€ 2.9	1	Auto Choke Body Gasket	75	34715.003	€ 0	1	Nut
21	57804.483	€ 0	1	Autochoke Thermostat	76	32240.501	€ 0	1	Interruttore unipolare
22	52135.029	€ 2.3	1	Choke Lock Ring	77	14975.081	€ 0	1	Cavo unipolare
23	64615.004	€ 0	3	Screw	78	58510.008	€ 0	1	Staffa interruttore
24	52570.006	€ 6.2	1	Idling jet holder	79	47407.182	€ 0	1	Membrana valvola piena potenza
25	41565.002	€ 0.4	1	Idle jet holder O Ring seal	80	47600.005	€ 2.9	1	Starter Valve Spring
26	74403.060	€ 2.9	1	Secondary idle jet	81	32384.046	€ 0	1	Coperchio valvola piena potenza
27	64700.010	€ 0	2	Fixing Screw	82	64565.001	€ 0	3	Screw
28	55510.038	€ 0	2	Lock Washer	83	64565.001	€ 0	4	Screw
29	31800.027	€ 0	1	Capsula minimo accelerato	84	52000.015	€ 1.8	1	Float pivot
30	-	€ 0	1	Carburetor Body	85	32484.044	€ 0	1	Coperchio pompa pneumatica
31	47600.007	€ 2.2	1	Idle Screw Spring	86	47600.279	€ 0	1	Spring For Diaphragm
32	64625.012	€ 5.4	1	Throttle Adjustment Screw	87	47407.163	€ 0	1	Membrana pompa pneumatica
33	64595.013	€ 0	1	Secondary throttle adjusting screw	88	73801.140	€ 2.9	1	Main jet
34	67016.092	€ 0	1	Carburetor shaft base. including:	88	73801.210	€ 5.7	1	Main jet
35	10000.264	€ 0	1	Primary Throttle Shaft	89	61440.491	€ 0	1	Secondary Emulsion Tube
36	41575.010	€ 3.1	1	Bushing	89	61440.220	€ 7.5	1	Primary Emulsion Tube
37	10015.273	€ 0	1	Secondary Throttle Shaft	90	77201.170	€ 2.9	1	Primary Air Corrector Jet
38	64005.113	€ 0	2	— Throttle valve	90	77201.160	€ 2.9	1	Secondary air correction jet
39	64520.027	€ 0.6	4	Throttle plate screw	91	76407.060	€ 12.4	1	Pump jet
40	45048.124	€ 0	1	Throttle control lever	92	41565.001	€ 0	1	Pump Jet 'O' Ring
41	64595.035	€ 0	1	Throttles adjusting screw	93	41565.008	€ 0.8	1	O ring
42	34715.014	€ 1	1	Throttle Spindle Nut	94	61075.002	€ 0	1	Tappo coperchio sgolfatore
43	55520.002	€ 1	1	Shaft Lock Tab	95	70508.450	€ 0	1	Auxiliary Venturi Secondary
44	12775.092	€ 0	1	Boccola guida leva allentata	95	70508.450	€ 0	1	Auxiliary Venturi Primary
45	45069.092	€ 0	1	Lever	96	41705.072	€ 0	1	Top Cover Gasket
46	47610.175	€ 0	1	Molla leva allentata	97	41015.004	€ 51.6	1	Float
47	47610.091	€ 0	1	Choke lever return spring	98	79510.175	€ 0	1	Needle & Seat
48	55555.019	€ 1.4	1	Shaft Spacer	99	83102.070	€ 1.6	1	Gasket for Needle Valve
49	41575.010	€ 3.1	2	Bushing	100	43921.100	€ 0	1	Intercettatore ricircolo completo di:
50	64700.016	€ 0	2	Fixing Screw	101	55530.016	€ 0	1	— Wavy Washer
51	55510.018	€ 0	2	Lock Washer	102	58000.019	€ 0	1	— Cup Washer
52	61075.013	€ 6.2	1	Idle mixture tamper proof plug	103	41565.001	€ 0	1	— Idle jet holder O Ring seal
53	64750.080	€ 0	1	Idle Mixture Screw	104	74409.100	€ 2.9	1	— Idle jet
54	41565.010	€ 0	1	Idle Mixture Screw O Ring	105	61002.019	€ 0	1	Fuel Filter Cover
55	39152.015	€ 0	1	Base Spacer Heat Gasket					

<https://www.carbparts.eu>

Prices and product availability are subject to change

