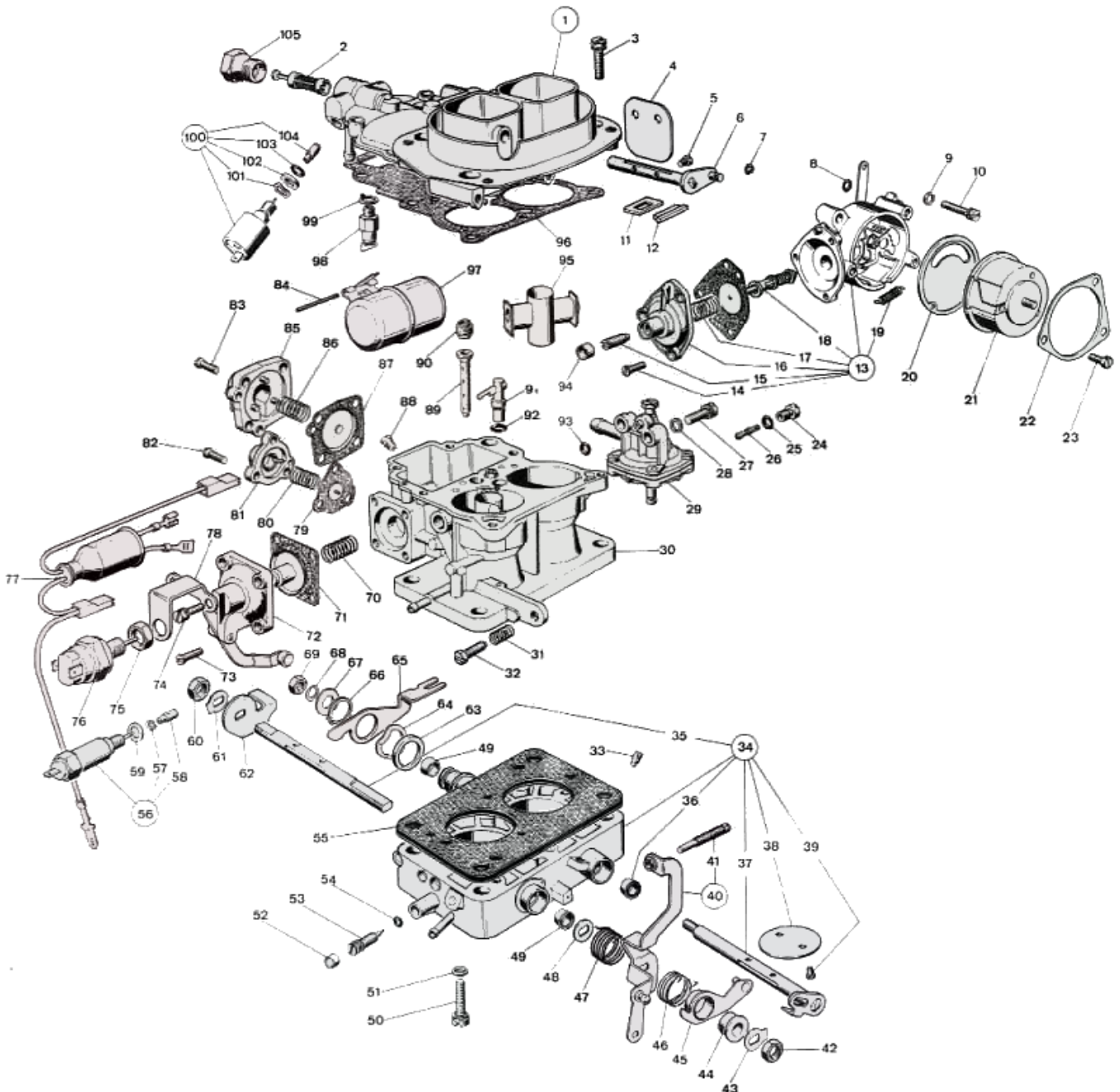


WEBER 34 ADM 0 - exploded view



<https://www.carbparts.eu>

Prices and product availability are subject to change



CarbDeal
Selling carburetor parts since 2005



WEBER 34 ADM 0 - Parts list

No	Part No	Price	Pcs	Description	No	Part No	Price	Pcs	Description
1	31716.461	£ 0	1	Carb Top Cover	56	43914.060	£ 0	1	Idle Cut Off Solenoid
2	37022.004	£ 6	1	Filter element	57	55530.020	£ 0	1	— Rosetta ondulata
3	64700.005	£ 0.5	6	Top Cover Fixing Screw	58	74409.060	£ 2.5	1	— Idle jet
4	64010.034	£ 0	1	Choke throttle valve	59	41535.024	£ 0	1	Guarnizione Intercettatore minimo
5	64525.003	£ 0	2	Choke plate fixing screw	60	34710.003	£ 0.9	1	Throttle Shaft Nut
6	10015.274	£ 10.5	1	Choke shaft	61	55520.004	£ 0.9	1	Throttle Shaft Lock Washer
7	10140.501	£ 1.4	1	Locking Ring	62	14850.140	£ 0	1	Pump Cam
8	41565.008	£ 0.6	1	O ring	63	12750.103	£ 0	1	Boccola distanziale leva allentata
9	55510.034	£ 0.4	2	Lock Washer	64	55530.014	£ 0	1	Rosetta ondulata leva allentata minimo accel.
10	64700.001	£ 0.5	2	Fixing Screw	65	45067.048	£ 0	1	Leva allentata comando mimmo accelerato
11	52135.018	£ 2.5	1	Dust seal plate	66	10140.304	£ 0	1	Anello elastico ritegno leva allentata
12	61070.002	£ 2.5	1	Dust seal plug	67	55510.081	£ 1.7	1	Washer For Shaft
13	57804.446	£ 0	1	Auto Choke Assy. Including	68	55525.001	£ 0	1	Spring Washer
14	64560.004	£ 0	3	— Diaphragm cover fixing screw	69	34705.001	£ 0.6	1	Secondary shaft fixing nut
15	64595.005	£ 7.9	1	— Diaphragm adjusting screw	70	47600.092	£ 0	1	Pump Spring
16	32384.060	£ 0	1	— Diaphragm cover	71	47407.146	£ 0	1	Pump diaphragm
17	47600.229	£ 0	1	— Diaphragm loading spring	72	32486.084	£ 0	1	Accelerator Pump Cover
18	47407.226	£ 0	1	— Choke diaphragm	73	64565.001	£ 0	2	Screw
19	47605.030	£ 0	1	- Return Spring	74	64700.019	£ 0	2	Pump Cover Screw
20	41640.052	£ 2.5	1	Auto Choke Body Gasket	75	34715.003	£ 0	1	Nut
21	57804.483	£ 0	1	Autochoke Thermostat	76	32240.501	£ 0	1	Interruttore unipolare
22	52135.029	£ 2	1	Choke Lock Ring	77	14975.081	£ 0	1	Cavo unipolare
23	64615.004	£ 0	3	Screw	78	58510.008	£ 0	1	Staffa interruttore
24	52570.006	£ 5.5	1	Idling jet holder	79	47407.182	£ 0	1	Membrana valvola piena potenza
25	41565.002	£ 0.4	1	Idle jet holder O Ring seal	80	47600.005	£ 2.5	1	Starter Valve Spring
26	74403.060	£ 2.5	1	Secondary idle jet	81	32384.046	£ 0	1	Coperchio valvola piena potenza
27	64700.010	£ 0	2	Fixing Screw	82	64565.001	£ 0	3	Screw
28	55510.038	£ 0	2	Lock Washer	83	64565.001	£ 0	4	Screw
29	31800.027	£ 0	1	Capsula minimo accelerato	84	52000.015	£ 1.5	1	Float pivot
30	-	£ 0	1	Carburetor Body	85	32484.044	£ 0	1	Coperchio pompa pneumatica
31	47600.007	£ 1.9	1	Idle Screw Spring	86	47600.279	£ 0	1	Spring For Diaphragm
32	64625.012	£ 4.7	1	Throttle Adjustment Screw	87	47407.163	£ 0	1	Membrana pompa pneumatica
33	64595.013	£ 0	1	Secondary throttle adjusting screw	88	73801.140	£ 2.5	1	Main jet
34	67016.092	£ 0	1	Carburetor shaft base. including:	88	73801.210	£ 4.9	1	Main jet
35	10000.264	£ 0	1	Primary Throttle Shaft	89	61440.491	£ 0	1	Secondary Emulsion Tube
36	41575.010	£ 2.7	1	Bushing	89	61440.220	£ 6.5	1	Primary Emulsion Tube
37	10015.273	£ 0	1	Secondary Throttle Shaft	90	77201.170	£ 2.5	1	Primary Air Corrector Jet
38	64005.113	£ 0	2	— Throttle valve	90	77201.160	£ 2.5	1	Secondary air correction jet
39	64520.027	£ 0.5	4	Throttle plate screw	91	76407.060	£ 11.8	1	Pump jet
40	45048.124	£ 0	1	Throttle control lever	92	41565.001	£ 0	1	Pump Jet 'O' Ring
41	64595.035	£ 0	1	Throttles adjusting screw	93	41565.008	£ 0.6	1	O ring
42	34715.014	£ 0.9	1	Throttle Spindle Nut	94	61075.002	£ 0	1	Tappo coperchio sgolfatore
43	55520.002	£ 0.9	1	Shaft Lock Tab	95	70508.450	£ 0	1	Auxiliary Venturi Secondary
44	12775.092	£ 0	1	Boccola guida leva allentata	95	70508.450	£ 0	1	Auxiliary Venturi Primary
45	45069.092	£ 0	1	Lever	96	41705.072	£ 0	1	Top Cover Gasket
46	47610.175	£ 0	1	Molla leva allentata	97	41015.004	£ 44.9	1	Float
47	47610.091	£ 0	1	Choke lever return spring	98	79510.175	£ 0	1	Needle & Seat
48	55555.019	£ 1.3	1	Shaft Spacer	99	83102.070	£ 1.4	1	Gasket for Needle Valve
49	41575.010	£ 2.7	2	Bushing	100	43921.100	£ 0	1	Intercettatore ricircolo completo di:
50	64700.016	£ 0	2	Fixing Screw	101	55530.016	£ 0	1	— Wavy Washer
51	55510.018	£ 0	2	Lock Washer	102	58000.019	£ 0	1	— Cup Washer
52	61075.013	£ 5.4	1	Idle mixture tamper proof plug	103	41565.001	£ 0	1	— Idle jet holder O Ring seal
53	64750.080	£ 0	1	Idle Mixture Screw	104	74409.100	£ 2.5	1	— Idle jet
54	41565.010	£ 0	1	Idle Mixture Screw O Ring	105	61002.019	£ 0	1	Fuel Filter Cover
55	39152.015	£ 0	1	Base Spacer Heat Gasket					

<https://www.carbparts.eu>

Prices and product availability are subject to change

