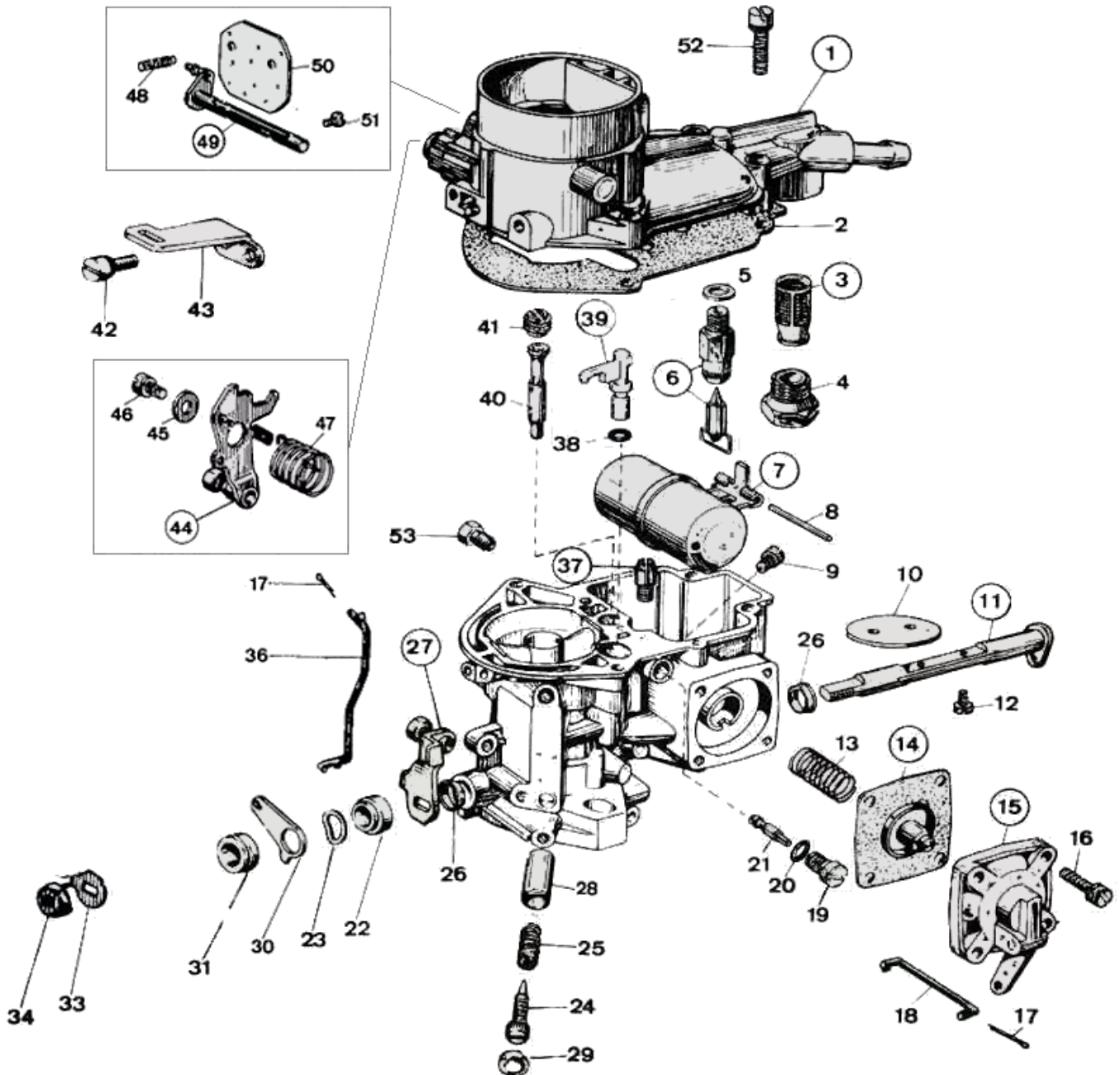




WEBER 34 ICT - exploded view



<https://www.carbparts.eu>

Prices and product availability are subject to change



CarbDeal
Selling carburetor parts since 2005



WEBER 34 ICT - Parts list

No	Part No	Price	Pcs	Description	No	Part No	Price	Pcs	Description
	92.1213.05	€ 0	1	Repair Kit	26	41575.010	€ 3.1	2	Shaft seal
	92.0286.05	€ 0	1	Gasket Kit	27	45048.054	€ 0	1	Throttle control lever
1	31706.055	€ 0	1	Carburetor cover	28		€ 0		
2	41700.010	€ 4.5	1	Carburetor cover gasket	29		€ 0	1	Idle tamper proof plug
3	37022.010	€ 3.7	1	Fuel Filter	30		€ 0		Lever
4	61002.018	€ 7.5	1	Filter inspection plug	31	12750.058	€ 0	1	Bush for fast idle control lever
5	83102.070	€ 1.6	1	Needle valve gasket	33	55520.002	€ 1	1	Lock washer
6	79507.175	€ 21.9	1	Needle valve	34	34715.014	€ 1	1	Cam fixing nut
7	41015.011	€ 0	1	Float	36		€ 0		Tie Rod
8	52000.010	€ 1.8	1	Float pin	37	79701.040	€ 8.7	1	Pump inlet valve with back bleed
9	73801.147	€ 5.7	1	Main jet	38	41565.001	€ 0	1	Gasket for pump jet
10	64005.007	€ 0	1	Throttle plate	39	76407.050	€ 12.4	1	Pump jet
11	10015.494	€ 69.9	1	Throttle shaft	40	61440.222	€ 13.9	1	Emulsion tube
12	64520.023	€ 2.8	2	Throttle fixing screw	41	77201.145	€ 2.9	1	Air corrector jet
13	47600.107	€ 6.3	1	Pump loading spring	42	64700.012	€ 2.8	1	Spring locking bracket fixing screw
14	47407.016	€ 0	1	Pump diaphragm	43	58490.016	€ 12.5	1	Spring locking bracket fixing screw
15	32486.002	€ 0	1	Pump cover	44		€ 0		Lever
16	64700.004	€ 2	4	Pump cover fixing screw	45	55510.002	€ 1.4	1	Screw washer for choke control lever
17	32610.005	€ 1.4	2	Split pin	46	64700.012	€ 2.8	1	Choke control lever fixing screw
18	61280.020	€ 12.5	1	Pump operating rod	47	47610.003	€ 4.9	1	Choke lever return spring
19	52570.009	€ 13.5	1	Idle jet holder	48	47605.025	€ 5.5	1	Choke automaticity spring
20	41565.019	€ 1.4	1	Gasket for idle jet holder	49	10015.279	€ 0	1	Choke shaft
21	74409	€ 3.1	1	Idle jet	50	64010.026	€ 0	1	Choke plate
22	12765.021	€ 0	1	Bush for fast idle control lever	51	64525.003	€ 0	2	Choke plate fixing screw
23	55530.002	€ 3	1	Spring washer	52	64700.005	€ 0.5	4	Carb. Cover fixing screw
24	64750.048	€ 19.4	1	Idle mixture adjusting screw	53	64605.017	€ 1.8	1	Sheath fixing screw
25	47600.007	€ 2.2	1	Spring for idle mix. adj. screw					

<https://www.carbparts.eu>

Prices and product availability are subject to change

