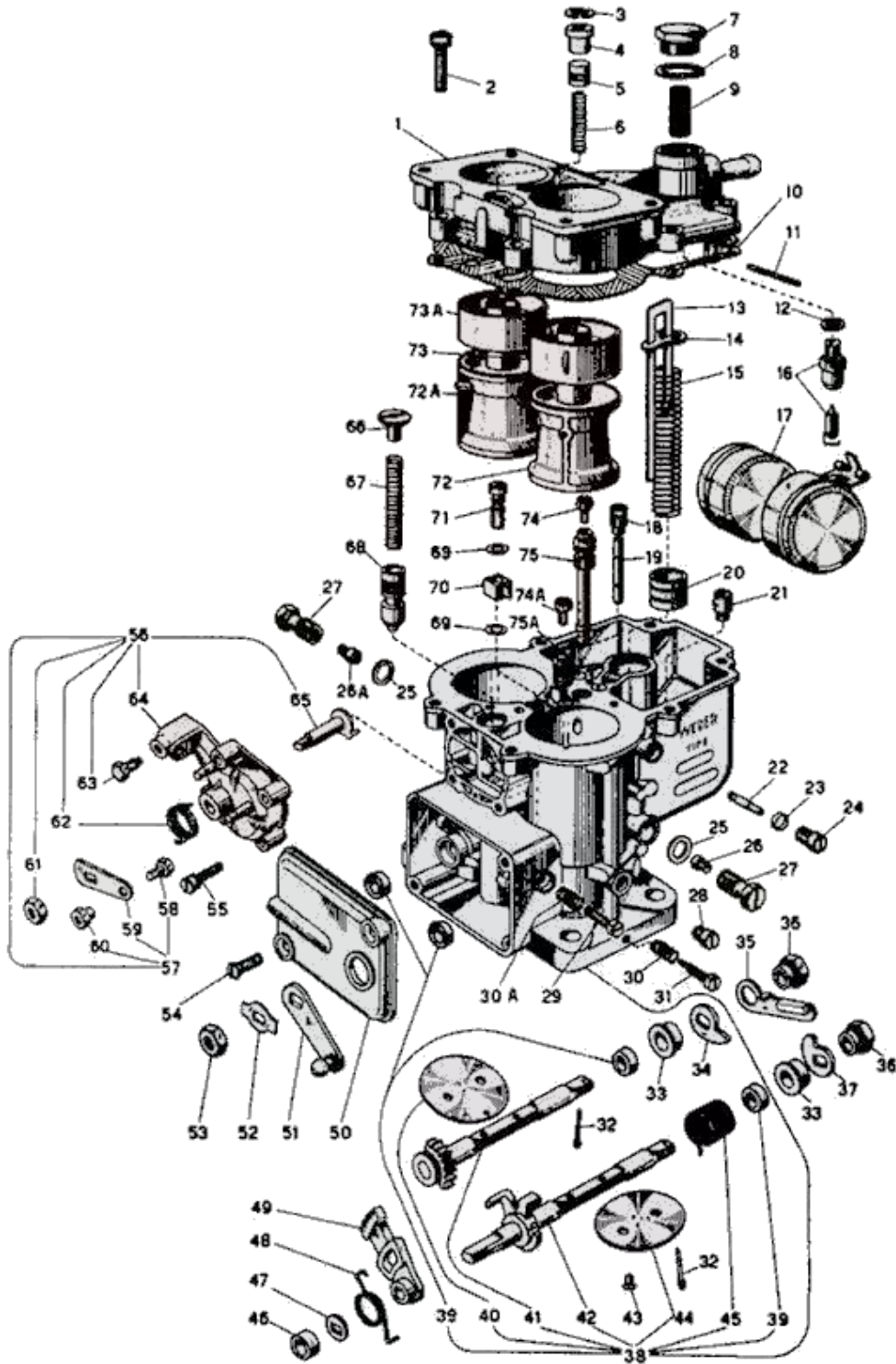


CarbDeal
Selling carburetor parts since 2005



WEBER 36 DCD - exploded view



<https://www.carbparts.eu>

Prices and product availability are subject to change



CarbDeal
Selling carburetor parts since 2005



WEBER 36 DCD - Parts list

No	Part No	Price	Pcs	Description	No	Part No	Price	Pcs	Description
1	NLA	€ 0	1	Carburetor Top Cover	40		€ 0	1	Throttle valve for secondary
2	64700.001	€ 0.5	6	Carburetor Cover Fixing Screw	41	10015.407	€ 0	1	Shaft For Secondary Duct
3	10140.010	€ 3.1	1	Lock Washer	42	10015.416	€ 0	1	Shaft For Primary Duct
4	12775.013	€ 0	1	Starter Plunger Seat	43	Not Serviced	€ 0	4	Throttle Valve Fixing Screw
5	58600.007	€ 30.9	1	Starter Plunger	44	64005.045	€ 0	1	Throttle Valve For Primary Duct
6	47600.052	€ 0	1	Starter Plunger Spring	45	47610.034	€ 0	1	Return Spring
7	61002.010	€ 6.2	1	Filter Cover	46	12750.039	€ 0	1	Shaft Distance Piece
8	41530.024	€ 0.3	1	Filter Cover Gasket	47	55555.016	€ 1.9	1	Primary Shaft Distance Washer
9	37022.010	€ 3.7	1	Gauze Filter	48	47610.009	€ 0	1	Return Spring- Primary Toothed Sector
10	41705.002	€ 0	1	Top Cover Gasket	49	58202.001	€ 52.7	1	Primary Toothed Sector
11	83102.070	€ 1.6	1	Float Pin	50	32464.008	€ 0	1	Toothed Sector Box Cover
12	83102.070	€ 1.6	1	Needle Valve Gasket	51	45027.001	€ 15.8	1	Throttle Control Lever
13	10400.012	€ 9.3	1	Plunger Shaft	52	55520.002	€ 1	1	Tab Washer
14	52140.002	€ 6.2	1	Plunger Spring Retaining Plate	53	34715.014	€ 1	1	Throttle Control Lever Fixing Nut
15	47600.085	€ 0	1	Pump Plunger Spring	54	64570.004	€ 2.6	2	Screw, Toothed Sector Cover Box
16	79507	€ 7.4	1	Needle & Seat	55	64700.004	€ 2	4	Fixing Screw, Sheath Support Cover
17	41030.011	€ 84	1	Float	56	32536.005	€ 0	1	Sheath Support Cover
18	77505	€ 0	1	Air Corrector Jet	57	45027.017	€ 16.3	1	Starter Control Lever
19	75504	€ 6.9	1	Starter Jet	58	64800.002	€ 0	1	Cable Fixing Screw
20	58602.004	€ 0	1	Pump Plunger	59	45025.003	€ 8.9	1	Starter Control Lever
21	79701	€ 6.6	1	Intake Valve With Exhaust Orifice	60	34715.010	€ 0	1	Cable Fixing Screw Nut
22	74401	€ 6.2	1	Idle Jet	61	34715.010	€ 0	1	Starter Control Lever Fixing Nut
23	41565.045	€ 1.6	1	Idle Jet Holder Gasket	62	47610.004	€ 4.9	1	Starter Control Lever Return Spring
24	52570.005	€ 6.2	1	Idle Jet Holder	63	64605.017	€ 1.8	1	Sheath Fixing Screw
25	41540.001	€ 1.7	2	Main Jet Holder Gasket	64	Not Serviced	€ 0	1	Cover With Sheath Support
26	73801	€ 2.7	1	Primary Main Jet	65	10085.004	€ 46.1	1	Starter Valve Control Shaft
26a	73801	€ 2.7	1	Secondary Main Jet	66	52030.001	€ 0	1	Spring Guide And Retainer
27	52590.001	€ 18.8	2	Main Jet Holder	67	47600.051	€ 4.4	1	Starter Valve Spring
28	61015.001	€ 9.3	1	Inspection Screw	68	64330.001	€ 29.5	1	Starter Valve
29	64625.002	€ 3.6	1	Throttle Adjustment Screw	69	41540.014	€ 2.4	2	Pump Jet Gasket
30a	47600.084	€ 5.2	1	Throttle Adjustment Screw Spring	70	76203	€ 0	1	Pump Jet
30	47600.084	€ 5.2	1	Idle Mixture Screw Spring	71	64290.005	€ 16.2	1	Pump Delivery Valve
31	64755.006	€ 11.1	1	Idle Mixture Adjustment Screw	72	71702	€ 0	1	Primary Venturi
32	Not Serviced	€ 0	2	Split Pin	72a	71701	€ 0	1	Secondary Venturi
33	12775.012	€ 0	1	Shaft Nut	73	69001	€ 0	1	Auxiliary Venturi, Primary
34	45080.010	€ 0	1	Second Pumping Lever	73a	69001	€ 0	1	Auxiliary Venturi, Secondary
35	45067.001	€ 0	1	Pump Control Loosened Lever	74a	77502	€ 4.3	1	Air Corrector Jet Secondary
36	34720.001	€ 6.1	2	Shaft Nut	74	77502	€ 4.3	1	Air Corrector Jet Primary
37	45080.011	€ 0	1	Pumping Lever	75a	61455	€ 24.3	1	Emulsion Tube, Secondary
38	Not Serviced	€ 0	1	Carburetor Body	75	61455	€ 24.3	1	Emulsion Tube, Primary
39	Not Serviced	€ 0	4	Spindle Grommet					

<https://www.carbparts.eu>

Prices and product availability are subject to change

