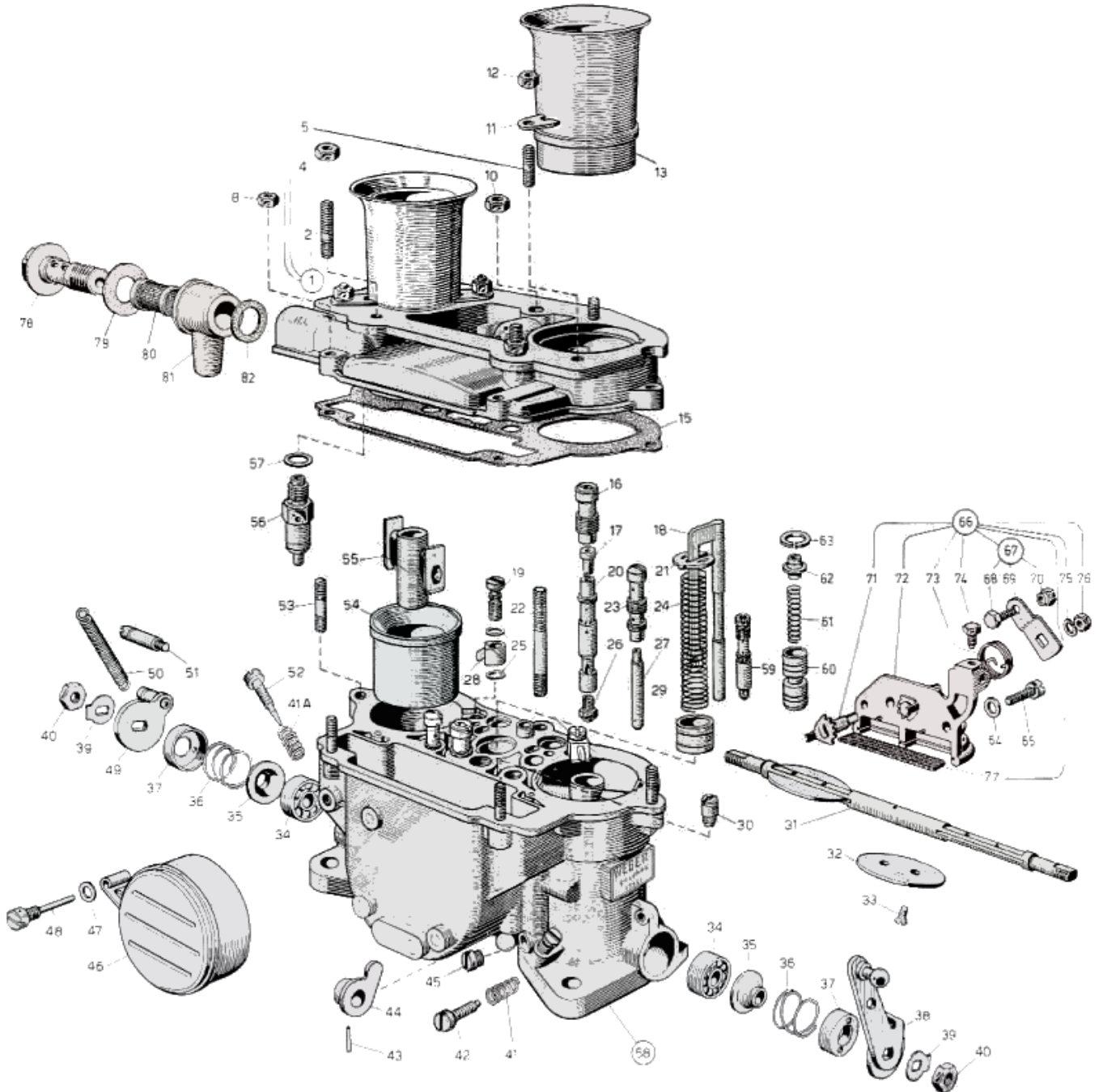




WEBER 38 DCNL 5 - exploded view



<https://www.carbparts.eu>

Prices and product availability are subject to change



CarbDeal
Selling carburetor parts since 2005



WEBER 38 DCNL 5 - Parts list

No	Part No	Price	Pcs	Description	No	Part No	Price	Pcs	Description
1	31716.047	€ 0	1	Carburetor cover Assy, including:	44	45082.013	€ 0	1	Pump Cam
2	64955.104	€ 0	2	Stud	45	61015.001	€ 9.3	2	Plug
4	34725.004	€ 0	2	— Air Horn Fixing Tab Nut	46	41015.008	€ 0	1	Float
5	64955.009	€ 4.5	4	Stud	47	41530.017	€ 0	1	O' ring
8	34725.003	€ 1.8	4	Throttle Spindle Nut	48	64900.010	€ 0	1	Float Pin
10	34725.004	€ 0	1	Throttle Spindle Nut	49	45027.040	€ 0	1	Lever
11	52150.013	€ 0	4	Air Horn Fixing Tab	50	47605.018	€ 0	1	Throttle Return Spring
12	34725.003	€ 1.8	4	Throttle Spindle Nut	51	52010.036	€ 0	1	Pin
13	52840.028	€ 24.2	2	Air intake horn	52	64750.001	€ 2.5	2	Idle Mixture Screw
15	41705.018	€ 0	1	Top Cover Gasket	53	64955.012	€ 0	4	Stud
16	52580.001	€ 4.6	2	Emulsion Tube Holder	54	34914.016	€ 0	2	Choke tube
17	41365.001	€ 4.3	2	Air corrector	55	31956.002	€ 0	2	Auxiliary venturi
18	10410.017	€ 0	1	Pump Rod	56	64240.005	€ 0	1	Float needle valve
19	64290.003	€ 24.9	2	Valve	57	41530.032	€ 0	1	Gasket for needle valve seat
20	61450.031	€ 6.7	2	Emulsion tube	58	-	€ 0	1	Carburetor Body
21	52140.007	€ 6.2	1	Plunger Spring Retaining Plate	59	41205.101	€ 10	2	Starter Jet
22	64955.109	€ 0	1	Stud bolt	60	64330.003	€ 5.8	2	Starter valve
23	52585.008	€ 0	2	Idle jet holder	61	47600.005	€ 2.9	2	Starter Valve Spring
24	47600.103	€ 1.6	1	Pump rod spring	62	12775.004	€ 2.9	2	Spring guide and retainer
25	41530.012	€ 0	4	Pump jet gasket	63	10140.010	€ 3.1	2	Clip
26	41110.001	€ 12.5	2	Main jet	64	55510.038	€ 0	2	Flat Washer
27	41165.252	€ 0	2	Idle jet	65	64700.004	€ 2	2	Pump Cover Screw
28	41252.009	€ 0	2	Pump jet	66	32556.005	€ 0	1	— Cold Start Unit
29	58602.012	€ 0	1	Pump plunger	67	45027.039	€ 0	1	— Cold Start Lever
30	64290.001	€ 6.6	1	Back bleed valve	68	64800.002	€ 0	1	— Screw securing wire
31	10005.401	€ 24.2	1	Throttle Shaft	69	45025.043	€ 0	1	Choke Lever
32	64005.050	€ 0	2	Butter Fly	70	34720.002	€ 0	1	— Cold Start Nut
33	64570.006	€ 2.1	4	Throttle Plate Screw	71	10085.009	€ 0	1	Choke Control Shaft
34	32650.001	€ 3.3	2	Throttle Shaft Bearing	72	32556.006	€ 0	1	— Cold Start Unit
35	41570.001	€ 1	2	Dust Cover	73	47610.042	€ 6.3	1	- Spring
36	47600.063	€ 1.8	2	Spring	74	64605.017	€ 1.8	1	— Choke Cable Clamp
37	58000.007	€ 2.7	2	Retaining Cover	75	55525.010	€ 0.4	1	— Spring washer
38	45034.053	€ 0	1	Throttles control lever	76	34715.010	€ 0	1	— Lever fixing nut
39	55520.004	€ 1	2	Throttle Shaft Lock Washer	77	37000.016	€ 3.8	1	— Filter Screen
40	34710.003	€ 1	2	Throttle Spindle Nut	78	12715.003	€ 0	1	Fuel Union Bolt
41A	47600.007	€ 2.2	2	Idle Mixture Screw Spring	79	41530.004	€ 0	1	Gasket
41	47600.007	€ 2.2	1	Throttle Stop Screw Spring	80	37022.001	€ 19.9	1	Fuel Filter
42	64590.002	€ 9.1	1	Throttle Stop Screw	81	10354.006	€ 18.4	1	Fuel Union
43	58445.001	€ 0.4	1	Fixing Pin	82	41530.001	€ 1.7	1	Gasket

<https://www.carbparts.eu>

Prices and product availability are subject to change

