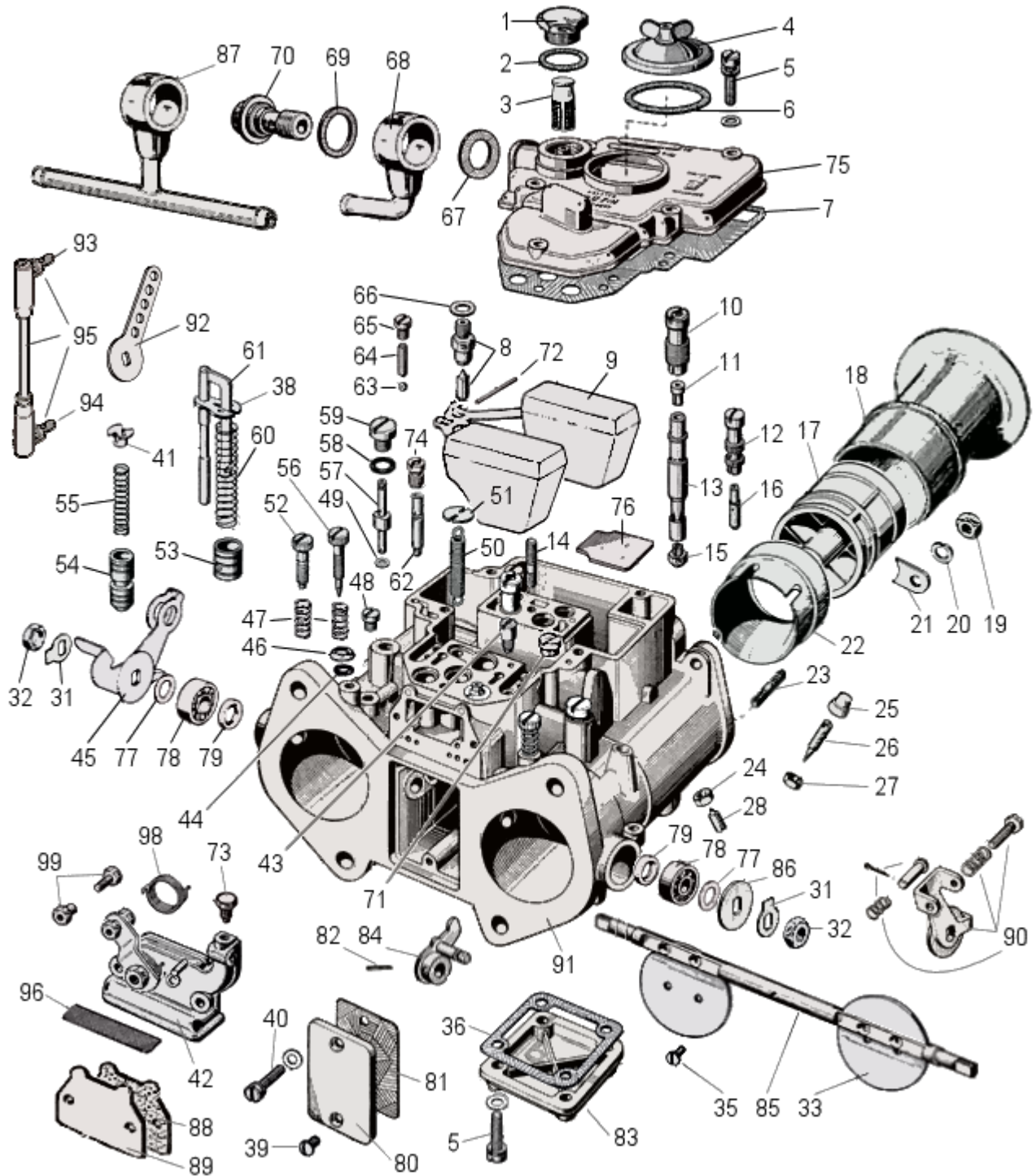




## WEBER 40 DCOE late type - exploded view



<https://www.carbparts.eu>

Prices and product availability are subject to change



**CarbDeal**  
Selling carburetor parts since 2005



## WEBER 40 DCOE late type - Parts list

No	Part No	Price	Pcs	Description	No	Part No	Price	Pcs	Description
1	61002.010	£ 5.4	1	Filter Cover	53	58602.003	£ 6.4	1	Pump Plunger
2	41530.024	£ 0.2	1	Filter Cover Gasket	54	64330.003	£ 5.1	2	Starter Valve
3	37022.002	£ 3.2	1	Filter Element	55	47600.105	£ 2.5	2	Starter Valve Spring
4	32376.003	£ 6.9	1	Jet Inspection Cover	56	64750.003	£ 2.2	2	Idle Mixture Screw
5	64700.001	£ 0.4	9	Screw	57	76801.040	£ 4.2	2	Pump Jet
6	41550.002	£ 2.2	1	Jet Inspection Cover Gasket	58	41565.009	£ 0.5	2	Pump Jet 'O' Ring
7	41715.011	£ 1.5	1	Top Cover Gasket	59	61015.008	£ 6.5	2	Pump Jet Cover
8	79503.175	£ 6.2	1	Needle Valve	60	47600.064	£ 4	1	Pump Rod Spring
9	41030.034	£ 8.3	1	Float	61	10410.015	£ 6.5	1	Pump Rod
10	52580.001	£ 4	2	Emulsion Tube Holder	62	75507.085	£ 8.7	2	Starter Jet
11	77401.200	£ 2	2	Air Corrector Jet	63	58300.003	£ 1.8	2	Pump Demand Valve Ball
12	52585.006	£ 4.7	2	Idle Jet Holder	64	52730.001	£ 2.8	2	Pump Valve Weight
13	61450.031	£ 5.8	2	Emulsion Tube	65	61015.006	£ 2.8	2	Pump Demand Valve Cover
14	64955.007	£ 10.1	1	Stud	66	83102.120	£ 0.2	1	Needle Valve Gasket
15	73401.115	£ 2	2	Main Jet	67	41530.031	£ 0.2	1	Fuel Union Gasket
16	74822.045	£ 2.5	2	Idle Jet	68	10536.035	£ 5.8	1	Fuel Union
17	69912.450	£ 19.6	2	Auxiliary Venturi	69	41530.024	£ 0.2	1	Fuel Union Gasket
18	52840.012	£ 14.3	2	Air Horn	70	12715.008	£ 6.5	1	Fuel Union Bolt
19	34705.004	£ 0.5	4	Air Horn Fixing Nut	71	61015.009	£ 4.3	2	Progression Hole Inspection Cov
20	55525.010	£ 0.4	4	Spring Washer	72	52000.001	£ 1.4	1	Float Pin
21	52150.012	£ 8.7	4	Air Horn Tab	73	64605.017	£ 1.5	1	Choke Cable Clamp
22	72302.300	£ 13	2	Venturi (Choke Tube)	74	77505.150	£ 5.1	2	Starter Air Jet
23	64955.110	£ 0.3	4	Stud	75	31734.197	£ 50	1	Carburetor Top Cover
24	34710.003	£ 0.9	2	Lock Nut	76	52130.003	£ 1.5	1	Plate
25	14945.003	£ 1.3	2	Air By-Pass Screw Cap	77	55510.128	£ 2.4	2	Washer
26	64750.002	£ 5.4	2	Air By-Pass Screw	78	32650.001	£ 2.8	2	Bearing
27	34705.001	£ 0.7	2	By-Pass Screw Lock Nut	79	41575.019	£ 2.7	2	O' Ring
28	64830.006	£ 3.2	4	Locking Screw	80	52135.024	£ 3.6	1	Inspection Cover
31	55520.004	£ 0.9	2	Lock Washer	81	41640.021	£ 0.7	1	Gasket
32	34710.003	£ 0.9	2	Throttle Spindle Nut	82	58445.001	£ 0.4	1	Pin
33	64005.044	£ 9.3	2	Throttle Plate	83	32374.008	£ 10.1	1	Cover
35	64520.027	£ 0.5	4	Throttle Plate Screw	84	45082.005	£ 12	1	Pump Cam
36	41640.001	£ 2.2	1	Bottom Cover Gasket	85	10005.446	£ 21	1	Throttle Spindle
38	52140.004	£ 2.2	1	Pump Screen retainer	86	55555.010	£ 1.5	2	Washer
39	64750.009	£ 0.6	2	Inspection Cover Fixing Screw	87	10536.034	£ 10	1	Fuel inlet T pipe
40	64700.004	£ 1.7	2	Choke cover Fixing Screw	88	ST2283	£ 0.7	1	Blanking plate gasket
41	52030.003	£ 2.5	2	Spring retainer	89	52135.008	£ 2.2	1	Blanking plate
42	32556.018	£ 32.6	1	Choke Cover	90	45048.149	£ 13	1	Balance lever
43	79701.050	£ 7.5	1	Pump Exhaust Valve	91		£ 0	1	Carburetor body
44	41565.002	£ 0.4	2	Idle Mixture Screw 'O' Ring	92	ST1936	£ 4.3	1	Universal lever
45	45048.007	£ 10.4	1	Throttle Lever	93	ST2460	£ 3.6	1	Ball end Left thread
46	58000.006	£ 1.6	2	Idle Mixture Screw Cup Washer	94	ST1937	£ 3.6	1	Ball end Right thread
47	47600.007	£ 1.9	3	Spring	95	ST2559	£ 15.9	1	Rod with ball ends
48	64590.008	£ 5.1	2	Vacuum Take-Off Cover	96	37000.016	£ 3.3	1	Filter Screen
49	41535.021	£ 0.9	2	Pump Jet Gasket	97	64605.017	£ 1.5	1	Fixing Bolt
50	47605.012	£ 1.4	1	Throttle Return Spring	98	47610.006	£ 5.4	1	Return Spring
51	52210.006	£ 1.3	1	Spring Anchor Plate	99		£ 0	1	Cold start wire screw with nut
52	64625.012	£ 4.7	1	Throttle Stop Screw					

<https://www.carbparts.eu>

Prices and product availability are subject to change

