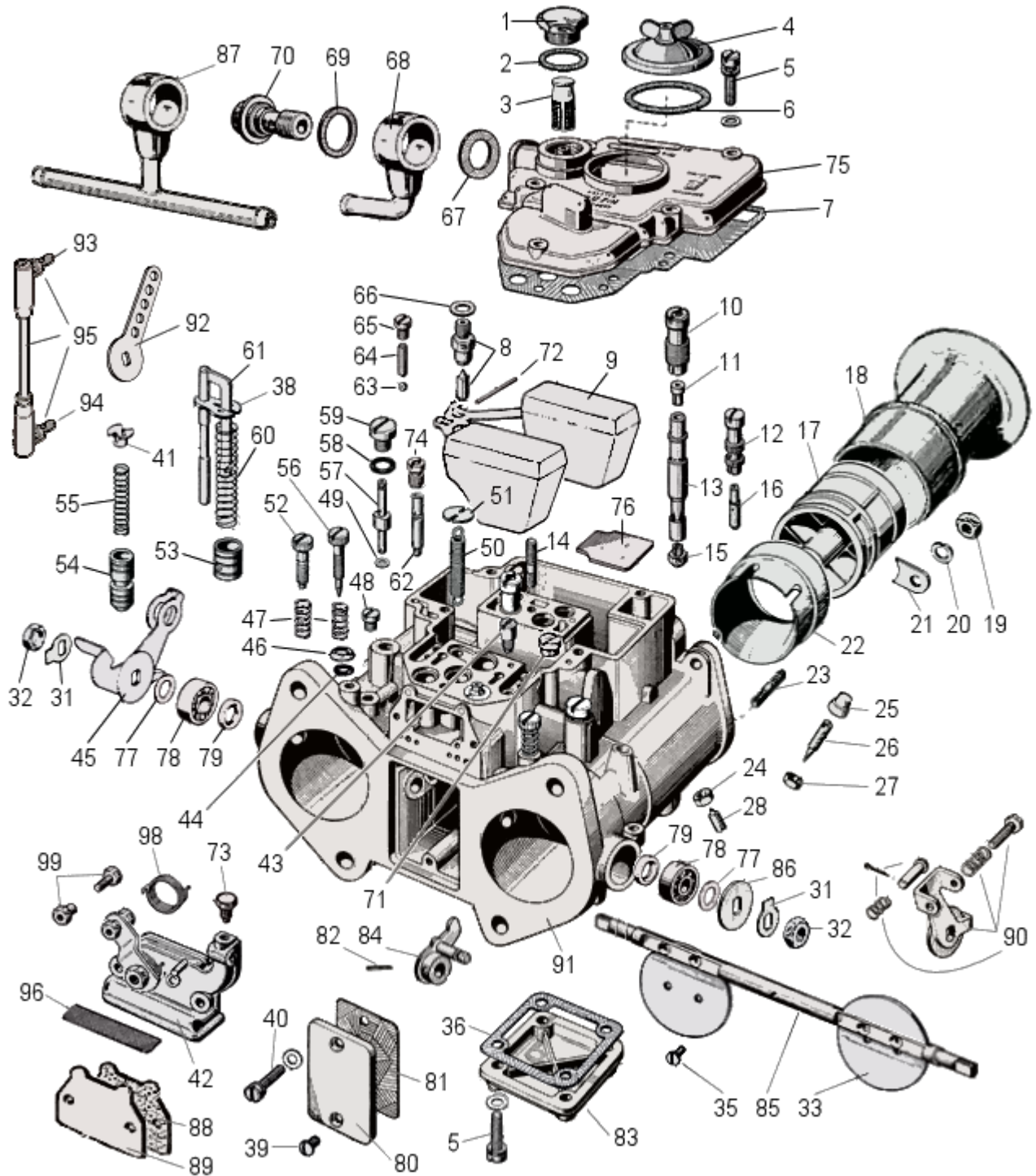


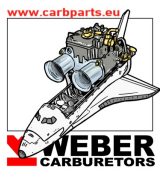


WEBER 40 DCOE late type - exploded view



<https://www.carbparts.eu>

Prices and product availability are subject to change



CarbDeal
Selling carburetor parts since 2005



WEBER 40 DCOE late type - Parts list

| No | Part No | Price | Pcs | Description | No | Part No | Price | Pcs | Description |
|----|-----------|---------|-----|-------------------------------|----|-----------|---------|-----|---------------------------------|
| 1 | 61002.010 | \$ 7.4 | 1 | Filter Cover | 53 | 58602.003 | \$ 8.8 | 1 | Pump Plunger |
| 2 | 41530.024 | \$ 0.3 | 1 | Filter Cover Gasket | 54 | 64330.003 | \$ 7 | 2 | Starter Valve |
| 3 | 37022.002 | \$ 4.4 | 1 | Filter Element | 55 | 47600.105 | \$ 3.5 | 2 | Starter Valve Spring |
| 4 | 32376.003 | \$ 9.5 | 1 | Jet Inspection Cover | 56 | 64750.003 | \$ 3 | 2 | Idle Mixture Screw |
| 5 | 64700.001 | \$ 0.6 | 9 | Screw | 57 | 76801.040 | \$ 5.8 | 2 | Pump Jet |
| 6 | 41550.002 | \$ 3 | 1 | Jet Inspection Cover Gasket | 58 | 41565.009 | \$ 0.7 | 2 | Pump Jet 'O' Ring |
| 7 | 41715.011 | \$ 2 | 1 | Top Cover Gasket | 59 | 61015.008 | \$ 9 | 2 | Pump Jet Cover |
| 8 | 79503.175 | \$ 8.6 | 1 | Needle Valve | 60 | 47600.064 | \$ 5.5 | 1 | Pump Rod Spring |
| 9 | 41030.034 | \$ 11.5 | 1 | Float | 61 | 10410.015 | \$ 9 | 1 | Pump Rod |
| 10 | 52580.001 | \$ 5.5 | 2 | Emulsion Tube Holder | 62 | 75507.085 | \$ 12 | 2 | Starter Jet |
| 11 | 77401.200 | \$ 2.7 | 2 | Air Corrector Jet | 63 | 58300.003 | \$ 2.5 | 2 | Pump Demand Valve Ball |
| 12 | 52585.006 | \$ 6.5 | 2 | Idle Jet Holder | 64 | 52730.001 | \$ 3.9 | 2 | Pump Valve Weight |
| 13 | 61450.031 | \$ 8 | 2 | Emulsion Tube | 65 | 61015.006 | \$ 3.9 | 2 | Pump Demand Valve Cover |
| 14 | 64955.007 | \$ 13.9 | 1 | Stud | 66 | 83102.120 | \$ 0.3 | 1 | Needle Valve Gasket |
| 15 | 73401.115 | \$ 2.7 | 2 | Main Jet | 67 | 41530.031 | \$ 0.3 | 1 | Fuel Union Gasket |
| 16 | 74822.045 | \$ 3.5 | 2 | Idle Jet | 68 | 10536.035 | \$ 8 | 1 | Fuel Union |
| 17 | 69912.450 | \$ 27 | 2 | Auxiliary Venturi | 69 | 41530.024 | \$ 0.3 | 1 | Fuel Union Gasket |
| 18 | 52840.012 | \$ 19.7 | 2 | Air Horn | 70 | 12715.008 | \$ 9 | 1 | Fuel Union Bolt |
| 19 | 34705.004 | \$ 0.7 | 4 | Air Horn Fixing Nut | 71 | 61015.009 | \$ 6 | 2 | Progression Hole Inspection Cov |
| 20 | 55525.010 | \$ 0.5 | 4 | Spring Washer | 72 | 52000.001 | \$ 1.9 | 1 | Float Pin |
| 21 | 52150.012 | \$ 12 | 4 | Air Horn Tab | 73 | 64605.017 | \$ 2.1 | 1 | Choke Cable Clamp |
| 22 | 72302.300 | \$ 18 | 2 | Venturi (Choke Tube) | 74 | 77505.150 | \$ 7 | 2 | Starter Air Jet |
| 23 | 64955.110 | \$ 0.4 | 4 | Stud | 75 | 31734.197 | \$ 69 | 1 | Carburetor Top Cover |
| 24 | 34710.003 | \$ 1.2 | 2 | Lock Nut | 76 | 52130.003 | \$ 2 | 1 | Plate |
| 25 | 14945.003 | \$ 1.8 | 2 | Air By-Pass Screw Cap | 77 | 55510.128 | \$ 3.3 | 2 | Washer |
| 26 | 64750.002 | \$ 7.5 | 2 | Air By-Pass Screw | 78 | 32650.001 | \$ 3.9 | 2 | Bearing |
| 27 | 34705.001 | \$ 0.9 | 2 | By-Pass Screw Lock Nut | 79 | 41575.019 | \$ 3.7 | 2 | O' Ring |
| 28 | 64830.006 | \$ 4.4 | 4 | Locking Screw | 80 | 52135.024 | \$ 5 | 1 | Inspection Cover |
| 31 | 55520.004 | \$ 1.2 | 2 | Lock Washer | 81 | 41640.021 | \$ 1 | 1 | Gasket |
| 32 | 34710.003 | \$ 1.2 | 2 | Throttle Spindle Nut | 82 | 58445.001 | \$ 0.5 | 1 | Pin |
| 33 | 64005.044 | \$ 12.9 | 2 | Throttle Plate | 83 | 32374.008 | \$ 14 | 1 | Cover |
| 35 | 64520.027 | \$ 0.7 | 4 | Throttle Plate Screw | 84 | 45082.005 | \$ 16.6 | 1 | Pump Cam |
| 36 | 41640.001 | \$ 3 | 1 | Bottom Cover Gasket | 85 | 10005.446 | \$ 29 | 1 | Throttle Spindle |
| 38 | 52140.004 | \$ 3.1 | 1 | Pump Screen retainer | 86 | 55555.010 | \$ 2 | 2 | Washer |
| 39 | 64750.009 | \$ 0.8 | 2 | Inspection Cover Fixing Screw | 87 | 10536.034 | \$ 13.8 | 1 | Fuel inlet T pipe |
| 40 | 64700.004 | \$ 2.4 | 2 | Choke cover Fixing Screw | 88 | ST2283 | \$ 1 | 1 | Blanking plate gasket |
| 41 | 52030.003 | \$ 3.5 | 2 | Spring retainer | 89 | 52135.008 | \$ 3 | 1 | Blanking plate |
| 42 | 32556.018 | \$ 45 | 1 | Choke Cover | 90 | 45048.149 | \$ 18 | 1 | Balance lever |
| 43 | 79701.050 | \$ 10.4 | 1 | Pump Exhaust Valve | 91 | | \$ 0 | 1 | Carburetor body |
| 44 | 41565.002 | \$ 0.5 | 2 | Idle Mixture Screw 'O' Ring | 92 | ST1936 | \$ 6 | 1 | Universal lever |
| 45 | 45048.007 | \$ 14.3 | 1 | Throttle Lever | 93 | ST2460 | \$ 5 | 1 | Ball end Left thread |
| 46 | 58000.006 | \$ 2.2 | 2 | Idle Mixture Screw Cup Washer | 94 | ST1937 | \$ 5 | 1 | Ball end Right thread |
| 47 | 47600.007 | \$ 2.6 | 3 | Spring | 95 | ST2559 | \$ 22 | 1 | Rod with ball ends |
| 48 | 64590.008 | \$ 7 | 2 | Vacuum Take-Off Cover | 96 | 37000.016 | \$ 4.5 | 1 | Filter Screen |
| 49 | 41535.021 | \$ 1.3 | 2 | Pump Jet Gasket | 97 | 64605.017 | \$ 2.1 | 1 | Fixing Bolt |
| 50 | 47605.012 | \$ 1.9 | 1 | Throttle Return Spring | 98 | 47610.006 | \$ 7.5 | 1 | Return Spring |
| 51 | 52210.006 | \$ 1.8 | 1 | Spring Anchor Plate | 99 | | \$ 0 | 1 | Cold start wire screw with nut |
| 52 | 64625.012 | \$ 6.5 | 1 | Throttle Stop Screw | | | | | |

<https://www.carbparts.eu>

Prices and product availability are subject to change

