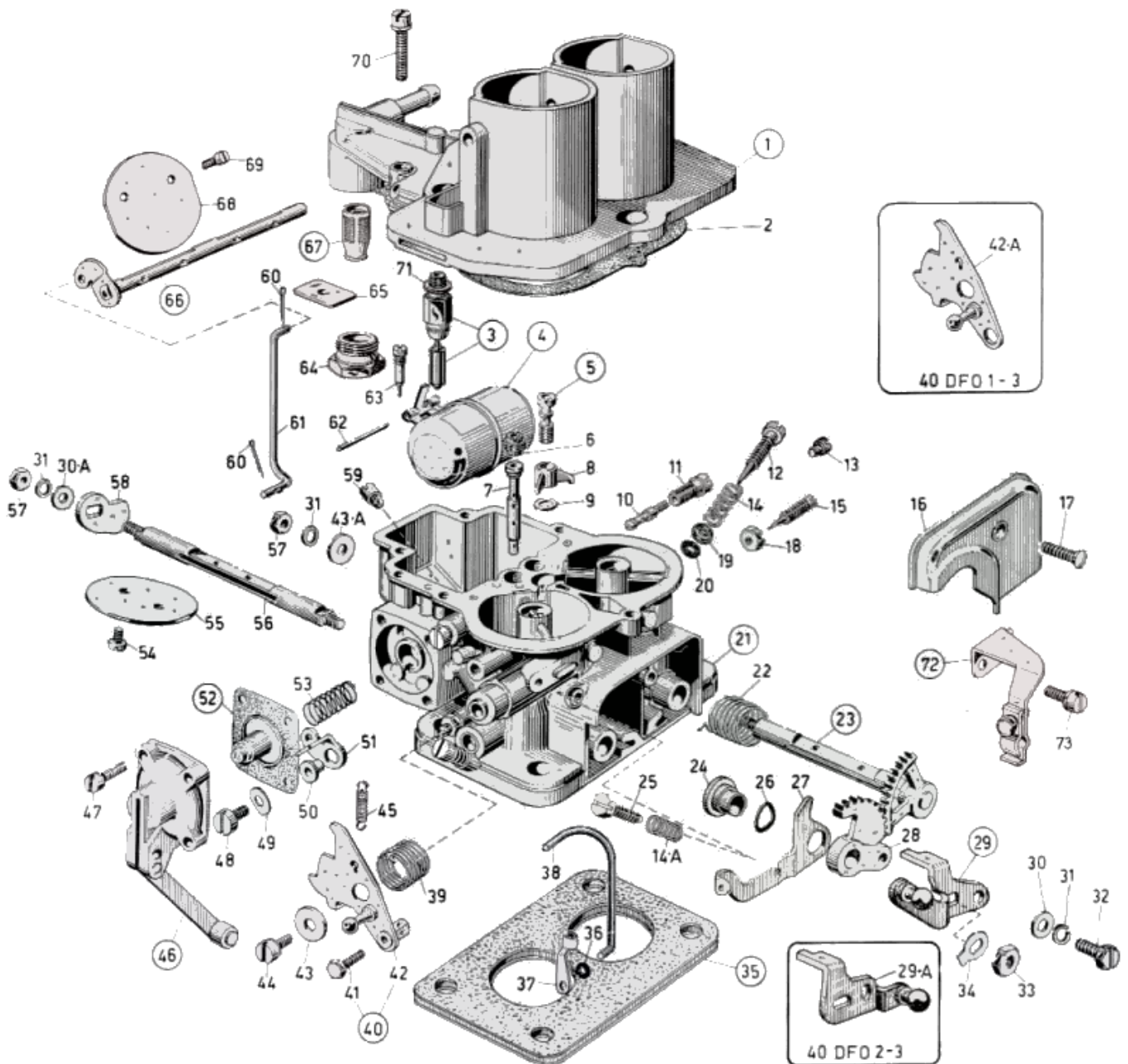




WEBER 40 DFO - exploded view



<https://www.carbparts.eu>

Prices and product availability are subject to change



CarbDeal
Selling carburetor parts since 2005



WEBER 40 DFO - Parts list

No	Part No	Price	Pcs	Description	No	Part No	Price	Pcs	Description
1	31716.083	€ 0	1	Carb Top Cover	37	47670.001	€ 0	1	Rod Clamp
2	41705.020	€ 0	1	Carburetor Cover Gasket	38	61280.043	€ 0	1	Tie rod
3	64240.013	€ 0	1	Float needle valve	39	47610.056	€ 4.9	1	Spring
4	41015.004	€ 51.6	1	Float	40	45202.042	€ 0	1	Choke lever including (40 DFO-2)
5	64290.005	€ 16.2	1	Pump Delivery Valve	41	64615.009	€ 0	1	— Screw securing wire
6	41360.001	€ 2.1	2	Air bleed jet	42	45202.043	€ 0	1	— Choke Lever (40 DFO-1-3)
7	61440.166	€ 28.8	2	Emulsion tube	42	45202.041	€ 0	1	— Choke Lever
8	41252.013	€ 9.2	1	Pump Jet	43	55510.002	€ 1.4	1	Flat Washer
9	41530.012	€ 0	1	Pump jet gasket	43	55510.002	€ 1.4	1	Flat Washer
10	41160.003	€ 2.5	2	Idle jet	44	64700.012	€ 2.8	1	Lever Fixing Screw
11	52570.005	€ 6.2	2	Idle Jet Holder	45	47605.025	€ 5.5	1	Choke return spring
12	64750.003	€ 2.5	2	Idle mixture screw	46	32486.019	€ 0	1	Accelerator Pump Cover
13	61015.005	€ 2.8	1	Vacuum Take-Off Cover	47	64700.004	€ 2	4	Choke cover fixing screw
14	47600.007	€ 2.2	1	Idle Mixture Screw Spring	48	64520.029	€ 0	1	Fixing Screw
14	47600.007	€ 2.2	2	Idle Mixture Screw Spring	49	55530.008	€ 3.6	1	Washer
15	64750.010	€ 0	2	Air Adjusting Screw	50	12775.010	€ 8.7	1	Bushing For Lever
16	32464.004	€ 0	1	Toothed Sector Box Cover	51	45032.091	€ 0	1	Choke Lever
17	64570.010	€ 0	1	Inspection Cover Fixing Screw	52	47407.016	€ 0	1	Pump Diaphragm
18	34705.001	€ 0.8	2	By-pass screw lock nut	53	47600.107	€ 6.3	1	Pump Spring
19	58000.006	€ 1.8	2	Idle Mixture Screw Cup Washer	54	64520.023	€ 2.8	4	Throttle Plate Screw
20	41565.002	€ 0.4	2	Idle Mixture Screw 'O' Ring	55	64005.022	€ 0	2	Throttle Valve
21	-	€ 0	1	Carburetor Body	56	10001.454	€ 0	1	Primary Throttle Shaft - Oversized
22	47610.039	€ 3.8	1	Spindle return spring	56	10000.426	€ 0	1	Primary Throttle Shaft
23	10015.459	€ 0	1	Throttle Shaft	57	34705.001	€ 0.8	2	Nut
23	10016.451	€ 0	1	Oversized Throttle Shaft	58	14850.054	€ 0	1	Pump Cam
24	12765.003	€ 15.6	1	Spacer Bushing	59	41120.001	€ 2.7	2	Main jet
25	64625.001	€ 0	1	Throttle Stop Screw	60	32610.006	€ 0	2	Spilt pin
26	55530.002	€ 3	1	Wavy Washer	61	61280.058	€ 0	1	Carburetor Rod
27	45032.085	€ 0	1	Fast Idle Control Lever	62	52000.015	€ 1.8	1	Float pivot
28	58202.016	€ 0	1	Throttle Shaft Gear	63	64900.001	€ 7.5	1	Pump discharge blanking needle
29	45034.060	€ 0	1	Throttle lever (40 DFO 2-3)	64	61002.018	€ 7.5	1	Fuel Filter Cover
29	45034.030	€ 0	1	Throttle Lever	65	52135.010	€ 2.9	1	Dust seal plate
30	55510.046	€ 1.4	1	Flat Washer	66	10020.216	€ 0	1	Choke Shaft
30	55510.046	€ 1.4	1	Flat Washer	67	37022.002	€ 3.7	1	Fuel Filter
31	55525.001	€ 0	3	Spring Washer	68	64010.011	€ 0	2	Choke plate
32	64615.003	€ 0	1	Screw	69	64525.003	€ 0	4	Choke plate fixing screw
33	34710.003	€ 1	1	Throttle Spindle Nut	70	64700.005	€ 0.5	5	Top Cover Fixing Screw
34	55520.004	€ 1	1	Throttle Shaft Lock Washer	71	41535.015	€ 0	1	Needle valve gasket
35	39152.005	€ 0	1	Base Spacer Heat Gasket	72	58702.017	€ 0	1	Sheat support
36	41565.010	€ 0	1	O Ring Seal	73	64700.012	€ 2.8	1	Sheat support fixing Screw

<https://www.carbparts.eu>

Prices and product availability are subject to change

