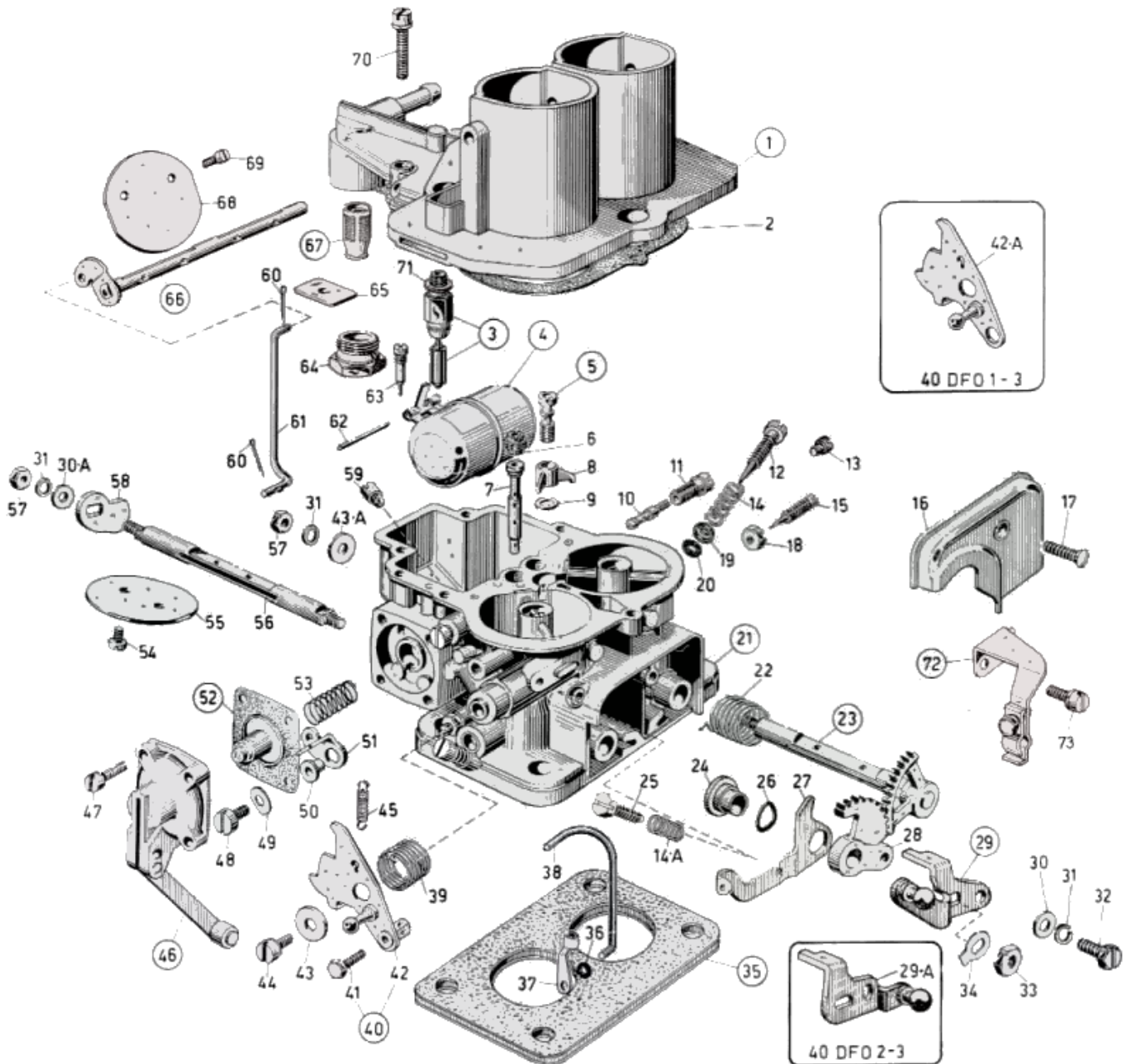




WEBER 40 DFO - exploded view



<https://www.carbparts.eu>

Prices and product availability are subject to change



CarbDeal
Selling carburetor parts since 2005



WEBER 40 DFO - Parts list

No	Part No	Price	Pcs	Description	No	Part No	Price	Pcs	Description
1	31716.083	£ 0	1	Carb Top Cover	37	47670.001	£ 0	1	Rod Clamp
2	41705.020	£ 0	1	Carburetor Cover Gasket	38	61280.043	£ 0	1	Tie rod
3	64240.013	£ 0	1	Float needle valve	39	47610.056	£ 4.2	1	Spring
4	41015.004	£ 44.9	1	Float	40	45202.042	£ 0	1	Choke lever including (40 DFO-2)
5	64290.005	£ 14.1	1	Pump Delivery Valve	41	64615.009	£ 0	1	— Screw securing wire
6	41360.001	£ 1.8	2	Air bleed jet	42	45202.043	£ 0	1	— Choke Lever (40 DFO-1-3)
7	61440.166	£ 25	2	Emulsion tube	42	45202.041	£ 0	1	— Choke Lever
8	41252.013	£ 7.9	1	Pump Jet	43	55510.002	£ 1.3	1	Flat Washer
9	41530.012	£ 0	1	Pump jet gasket	43	55510.002	£ 1.3	1	Flat Washer
10	41160.003	£ 2.2	2	Idle jet	44	64700.012	£ 2.4	1	Lever Fixing Screw
11	52570.005	£ 5.5	2	Idle Jet Holder	45	47605.025	£ 4.7	1	Choke return spring
12	64750.003	£ 2.2	2	Idle mixture screw	46	32486.019	£ 0	1	Accelerator Pump Cover
13	61015.005	£ 2.5	1	Vacuum Take-Off Cover	47	64700.004	£ 1.7	4	Choke cover fixing screw
14	47600.007	£ 1.9	1	Idle Mixture Screw Spring	48	64520.029	£ 0	1	Fixing Screw
14	47600.007	£ 1.9	2	Idle Mixture Screw Spring	49	55530.008	£ 3.2	1	Washer
15	64750.010	£ 0	2	Air Adjusting Screw	50	12775.010	£ 7.6	1	Bushing For Lever
16	32464.004	£ 0	1	Toothed Sector Box Cover	51	45032.091	£ 0	1	Choke Lever
17	64570.010	£ 0	1	Inspection Cover Fixing Screw	52	47407.016	£ 0	1	Pump Diaphragm
18	34705.001	£ 0.6	2	By-pass screw lock nut	53	47600.107	£ 5.4	1	Pump Spring
19	58000.006	£ 1.7	2	Idle Mixture Screw Cup Washer	54	64520.023	£ 2.4	4	Throttle Plate Screw
20	41565.002	£ 0.4	2	Idle Mixture Screw 'O' Ring	55	64005.022	£ 0	2	Throttle Valve
21	-	£ 0	1	Carburetor Body	56	10000.426	£ 0	1	Primary Throttle Shaft
22	47610.039	£ 3.3	1	Spindle return spring	56	10001.454	£ 0	1	Primary Throttle Shaft - Oversized
23	10016.451	£ 0	1	Oversized Throttle Shaft	57	34705.001	£ 0.6	2	Nut
23	10015.459	£ 0	1	Throttle Shaft	58	14850.054	£ 0	1	Pump Cam
24	12765.003	£ 13.5	1	Spacer Bushing	59	41120.001	£ 2.3	2	Main jet
25	64625.001	£ 0	1	Throttle Stop Screw	60	32610.006	£ 0	2	Spilt pin
26	55530.002	£ 2.6	1	Wavy Washer	61	61280.058	£ 0	1	Carburetor Rod
27	45032.085	£ 0	1	Fast Idle Control Lever	62	52000.015	£ 1.5	1	Float pivot
28	58202.016	£ 0	1	Throttle Shaft Gear	63	64900.001	£ 6.5	1	Pump discharge blanking needle
29	45034.060	£ 0	1	Throttle lever (40 DFO 2-3)	64	61002.018	£ 6.5	1	Fuel Filter Cover
29	45034.030	£ 0	1	Throttle Lever	65	52135.010	£ 2.5	1	Dust seal plate
30	55510.046	£ 1.9	1	Flat Washer	66	10020.216	£ 0	1	Choke Shaft
30	55510.046	£ 1.9	1	Flat Washer	67	37022.002	£ 3.2	1	Fuel Filter
31	55525.001	£ 0	3	Spring Washer	68	64010.011	£ 0	2	Choke plate
32	64615.003	£ 0	1	Screw	69	64525.003	£ 0	4	Choke plate fixing screw
33	34710.003	£ 0.9	1	Throttle Spindle Nut	70	64700.005	£ 0.5	5	Top Cover Fixing Screw
34	55520.004	£ 0.9	1	Throttle Shaft Lock Washer	71	41535.015	£ 0	1	Needle valve gasket
35	39152.005	£ 0	1	Base Spacer Heat Gasket	72	58702.017	£ 0	1	Sheat support
36	41565.010	£ 0	1	O Ring Seal	73	64700.012	£ 2.4	1	Sheat support fixing Screw

<https://www.carbparts.eu>

Prices and product availability are subject to change

