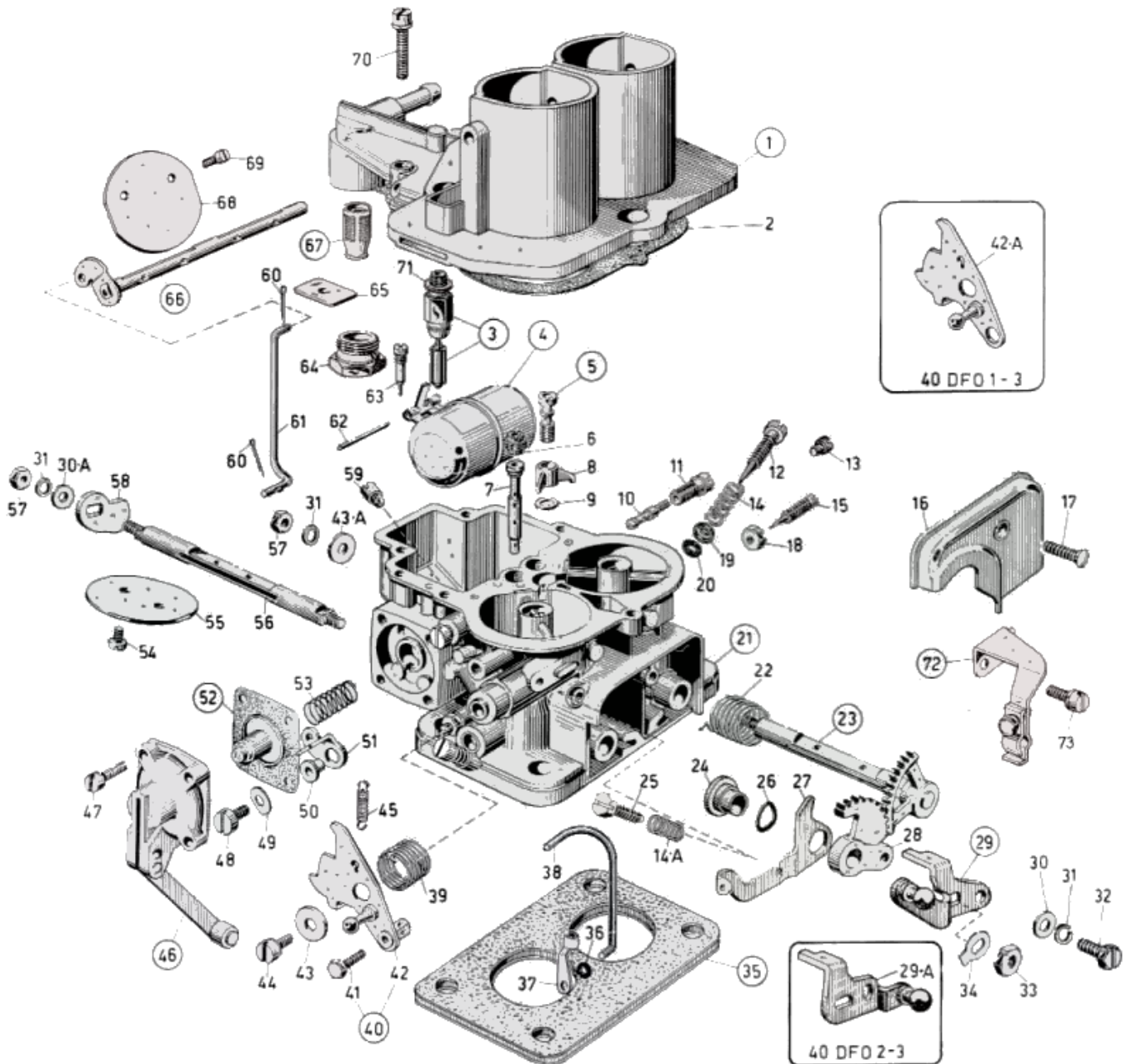




WEBER 40 DFO - exploded view



<https://www.carbparts.eu>

Prices and product availability are subject to change



CarbDeal
Selling carburetor parts since 2005



WEBER 40 DFO - Parts list

No	Part No	Price	Pcs	Description	No	Part No	Price	Pcs	Description
1	31716.083	\$ 0	1	Carb Top Cover	37	47670.001	\$ 0	1	Rod Clamp
2	41705.020	\$ 0	1	Carburetor Cover Gasket	38	61280.043	\$ 0	1	Tie rod
3	64240.013	\$ 0	1	Float needle valve	39	47610.056	\$ 5.9	1	Spring
4	41015.004	\$ 61.9	1	Float	40	45202.042	\$ 0	1	Choke lever including (40 DFO-2)
5	64290.005	\$ 19.4	1	Pump Delivery Valve	41	64615.009	\$ 0	1	— Screw securing wire
6	41360.001	\$ 2.6	2	Air bleed jet	42	45202.043	\$ 0	1	— Choke Lever (40 DFO-1-3)
7	61440.166	\$ 34.5	2	Emulsion tube	42	45202.041	\$ 0	1	— Choke Lever
8	41252.013	\$ 11	1	Pump Jet	43	55510.002	\$ 1.7	1	Flat Washer
9	41530.012	\$ 0	1	Pump jet gasket	43	55510.002	\$ 1.7	1	Flat Washer
10	41160.003	\$ 3	2	Idle jet	44	64700.012	\$ 3.3	1	Lever Fixing Screw
11	52570.005	\$ 7.4	2	Idle Jet Holder	45	47605.025	\$ 6.6	1	Choke return spring
12	64750.003	\$ 3	2	Idle mixture screw	46	32486.019	\$ 0	1	Accelerator Pump Cover
13	61015.005	\$ 3.4	1	Vacuum Take-Off Cover	47	64700.004	\$ 2.4	4	Choke cover fixing screw
14	47600.007	\$ 2.6	1	Idle Mixture Screw Spring	48	64520.029	\$ 0	1	Fixing Screw
14	47600.007	\$ 2.6	2	Idle Mixture Screw Spring	49	55530.008	\$ 4.3	1	Washer
15	64750.010	\$ 0	2	Air Adjusting Screw	50	12775.010	\$ 10.4	1	Bushing For Lever
16	32464.004	\$ 0	1	Toothed Sector Box Cover	51	45032.091	\$ 0	1	Choke Lever
17	64570.010	\$ 0	1	Inspection Cover Fixing Screw	52	47407.016	\$ 0	1	Pump Diaphragm
18	34705.001	\$ 0.9	2	By-pass screw lock nut	53	47600.107	\$ 7.5	1	Pump Spring
19	58000.006	\$ 2.2	2	Idle Mixture Screw Cup Washer	54	64520.023	\$ 3.3	4	Throttle Plate Screw
20	41565.002	\$ 0.5	2	Idle Mixture Screw 'O' Ring	55	64005.022	\$ 0	2	Throttle Valve
21	-	\$ 0	1	Carburetor Body	56	10000.426	\$ 0	1	Primary Throttle Shaft
22	47610.039	\$ 4.5	1	Spindle return spring	56	10001.454	\$ 0	1	Primary Throttle Shaft - Oversized
23	10016.451	\$ 0	1	Oversized Throttle Shaft	57	34705.001	\$ 0.9	2	Nut
23	10015.459	\$ 0	1	Throttle Shaft	58	14850.054	\$ 0	1	Pump Cam
24	12765.003	\$ 18.7	1	Spacer Bushing	59	41120.001	\$ 3.2	2	Main jet
25	64625.001	\$ 0	1	Throttle Stop Screw	60	32610.006	\$ 0	2	Spilt pin
26	55530.002	\$ 3.6	1	Wavy Washer	61	61280.058	\$ 0	1	Carburetor Rod
27	45032.085	\$ 0	1	Fast Idle Control Lever	62	52000.015	\$ 2.1	1	Float pivot
28	58202.016	\$ 0	1	Throttle Shaft Gear	63	64900.001	\$ 9	1	Pump discharge blanking needle
29	45034.060	\$ 0	1	Throttle lever (40 DFO 2-3)	64	61002.018	\$ 9	1	Fuel Filter Cover
29	45034.030	\$ 0	1	Throttle Lever	65	52135.010	\$ 3.5	1	Dust seal plate
30	55510.046	\$ 1.7	1	Flat Washer	66	10020.216	\$ 0	1	Choke Shaft
30	55510.046	\$ 1.7	1	Flat Washer	67	37022.002	\$ 4.4	1	Fuel Filter
31	55525.001	\$ 0	3	Spring Washer	68	64010.011	\$ 0	2	Choke plate
32	64615.003	\$ 0	1	Screw	69	64525.003	\$ 0	4	Choke plate fixing screw
33	34710.003	\$ 1.2	1	Throttle Spindle Nut	70	64700.005	\$ 0.6	5	Top Cover Fixing Screw
34	55520.004	\$ 1.2	1	Throttle Shaft Lock Washer	71	41535.015	\$ 0	1	Needle valve gasket
35	39152.005	\$ 0	1	Base Spacer Heat Gasket	72	58702.017	\$ 0	1	Sheat support
36	41565.010	\$ 0	1	O Ring Seal	73	64700.012	\$ 3.3	1	Sheat support fixing Screw

<https://www.carbparts.eu>

Prices and product availability are subject to change

