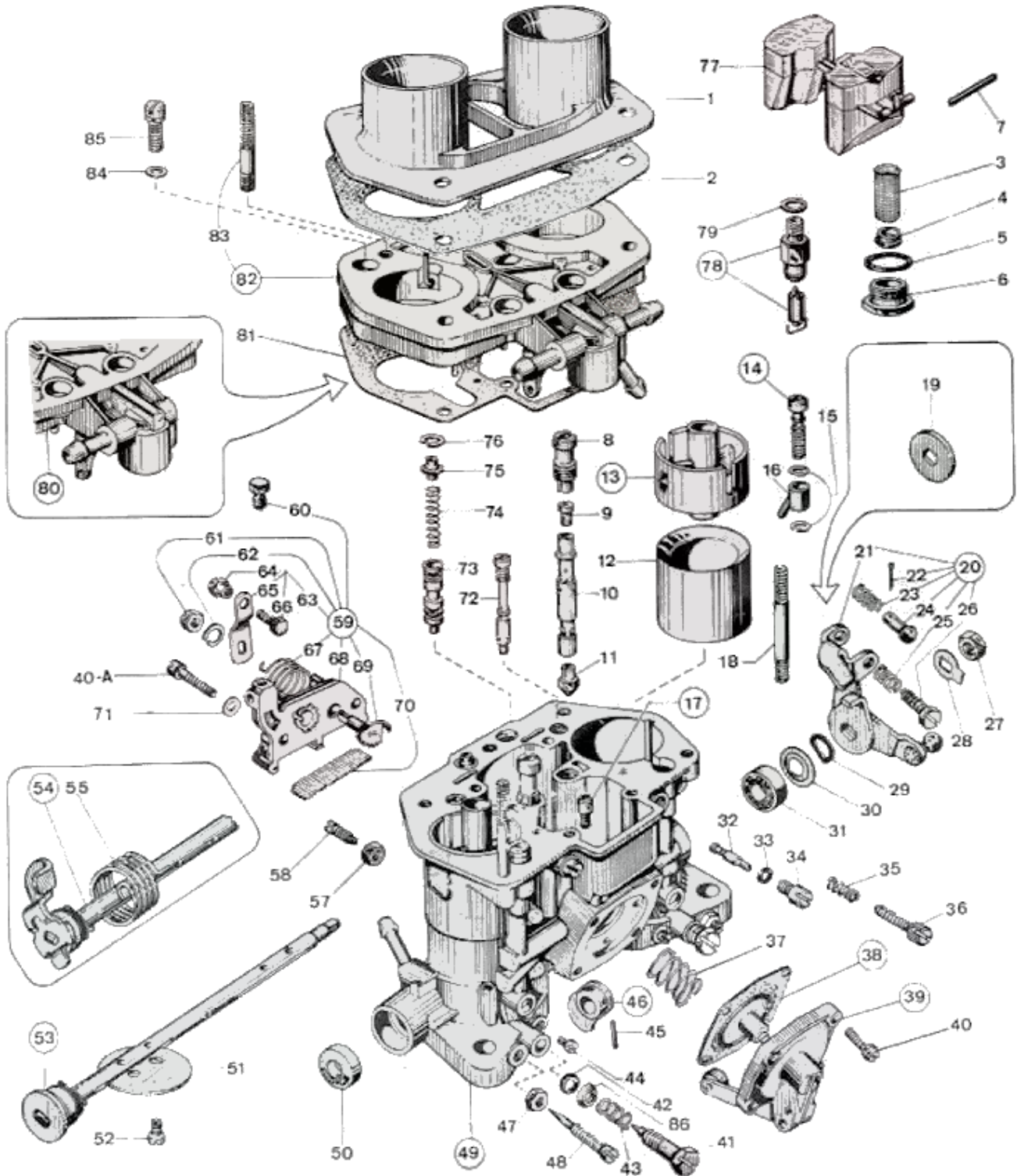




## WEBER 40 IDF 13/15 - exploded view



<https://www.carbparts.eu>

Prices and product availability are subject to change



**CarbDeal**  
Selling carburetor parts since 2005



## WEBER 40 IDF 13/15 - Parts list

No	Part No	Price	Pcs	Description	No	Part No	Price	Pcs	Description
1	52848.002	€ 0	1	Air Horn	43	47600.062	€ 2.7	2	Mixture Screw Spring
2	41655.013	€ 0	1	Air Horn Gasket	44	61015.005	€ 2.8	2	Vacuum Take-Off Cover
3	37020.002	€ 4.9	1	Fuel Filter Element	45	58445.001	€ 0.4	1	Spring Pin
4	61060.001	€ 0	1	Filter Washer	46	14852.007	€ 0	1	Pump Cam
5	41530.024	€ 0.3	1	Fuel Filter Gasket	47	34705.006	€ 0	2	Air By-Pass Screw Locking Nut
6	61002.010	€ 6.2	1	Fuel Filter Cover	48	64750.029	€ 6.3	2	Air by-pass screw
7	52000.001	€ 1.6	1	Float Fulcrum Pin	49	-	€ 0	1	Carburetor Body
8	52580.001	€ 4.6	2	Emulsion Tube Holderá	50	50002.006	€ 0	1	Shaft Bushing
9	41365.001	€ 4.3	2	Air corrector	51	64005.020	€ 0	2	Throttle Plate
10	61450.031	€ 6.7	2	Emulsion tube	52	64520.027	€ 0.6	4	Throttle plate screw
11	41110.001	€ 12.5	2	Main jet	53	10020.408	€ 0	1	Throttle Shaft
12	34894.006	€ 15.9	2	Choke tube	54	10020.223	€ 0	1	Throttle Shaft
13	31866.001	€ 0	2	Auxiliary venturi	55	47610.035	€ 6.3	1	Throttle Return Spring
14	64290.016	€ 16.6	2	Pump Demand Valve	57	34715.015	€ 0	2	Fixing Nut
15	41530.012	€ 0	4	Pump jet gasket	58	64830.002	€ 12	2	Choke Tube Fixing Screw
16	41252.011	€ 12.6	2	Pump Jet	59	32556.002	€ 37.5	1	Cold Start Unit
17	64230.001	€ 0	1	Back bleed valve	60	64605.017	€ 1.8	1	Š Choke Cable Clamp
18	64955.109	€ 0	2	Stud bolt	61	34715.010	€ 0	1	Š Lever fixing nut
19	55555.005	€ 1.7	1	Shaft Spacer	62	55525.010	€ 0.4	1	Š Spring washer
20	45048.020	€ 0	1	Throttle control lever	63	45027.030	€ 0	1	Š Cold Start Lever Assembly
21	45048.019	€ 0	1	Š Throttle Lever	64	34720.002	€ 0	1	Š Cold Start Nut
22	32610.002	€ 0.1	1	Š Spilt pin	65	45025.029	€ 0	1	Š Cold Start Lever
23	47600.062	€ 2.7	1	Š Spring	66	64800.002	€ 0	1	Š Screw securing wire
24	52010.001	€ 0	1	Š Pin	67	47610.006	€ 6.3	1	Š Lever return spring
25	47600.007	€ 2.2	1	Š Spring	68	32556.001	€ 0	1	Š Cold Start Unit
26	64625.021	€ 0	1	Š Screw	69	10085.003	€ 0	1	Š Starting shaft
27	34710.003	€ 1	1	Throttle Spindle Nut	70	37000.016	€ 3.8	1	Š Filter Screen
28	55520.004	€ 1	1	Throttle Lock Washer	71	55510.038	€ 0	2	Flat Washerá
29	55530.005	€ 3.7	1	Spring Ring	72	41205.101	€ 10	2	Starter Jet
30	53000.015	€ 0	1	Scodellino premicuscinetto	73	64330.009	€ 5.8	2	Starter Valveá
31	32650.001	€ 3.3	1	Throttle Shaft Bearingá	74	47600.133	€ 2.9	2	Starter Valve Springá
32	41160.005	€ 2.5	2	Idle jet	75	12775.024	€ 2.9	2	Spring guide and retainer
33	41565.002	€ 0.4	2	O-Ring For Idle Jet Holder	76	10140.002	€ 2.9	2	Spring Clip
34	52570.006	€ 6.2	2	Idle Jet Holder	77	41030.008	€ 7.9	1	Float
35	47600.007	€ 2.2	1	Spring For Throttle Stop Screw	78	64240.012	€ 7.9	1	Float needle valve
36	64585.005	€ 0	1	Throttle stop screw	79	41535.015	€ 0	1	Needle valve gasket
37	47600.028	€ 5	1	Diaphragm Loading Spring	80	31716.095	€ 0	1	Carb Top Cover
38	47407.027	€ 7.5	1	Pump diaphragm	81	41705.032	€ 0	1	Carburetor Cover Gasket
39	32486.027	€ 0	1	Accelerator Pump Cover	82	31716.094	€ 0	1	Carb Top Cover
40	64700.004	€ 2	2	Pump Cover Screw	83	64955.102	€ 0	2	Š Stud bolt
40	64700.004	€ 2	4	Pump Cover Screw	84	55510.034	€ 0.4	5	Spring Washer
41	64755.013	€ 0	2	Idle Mixture Adjustment Screw	85	64700.005	€ 0.5	5	Top Cover Fixing Screw
42	41565.002	€ 0.4	2	O-Ring For Idle Jet Holder	86	58000.006	€ 1.8	2	Mixture Screw O Ring Cap

<https://www.carbparts.eu>

Prices and product availability are subject to change

