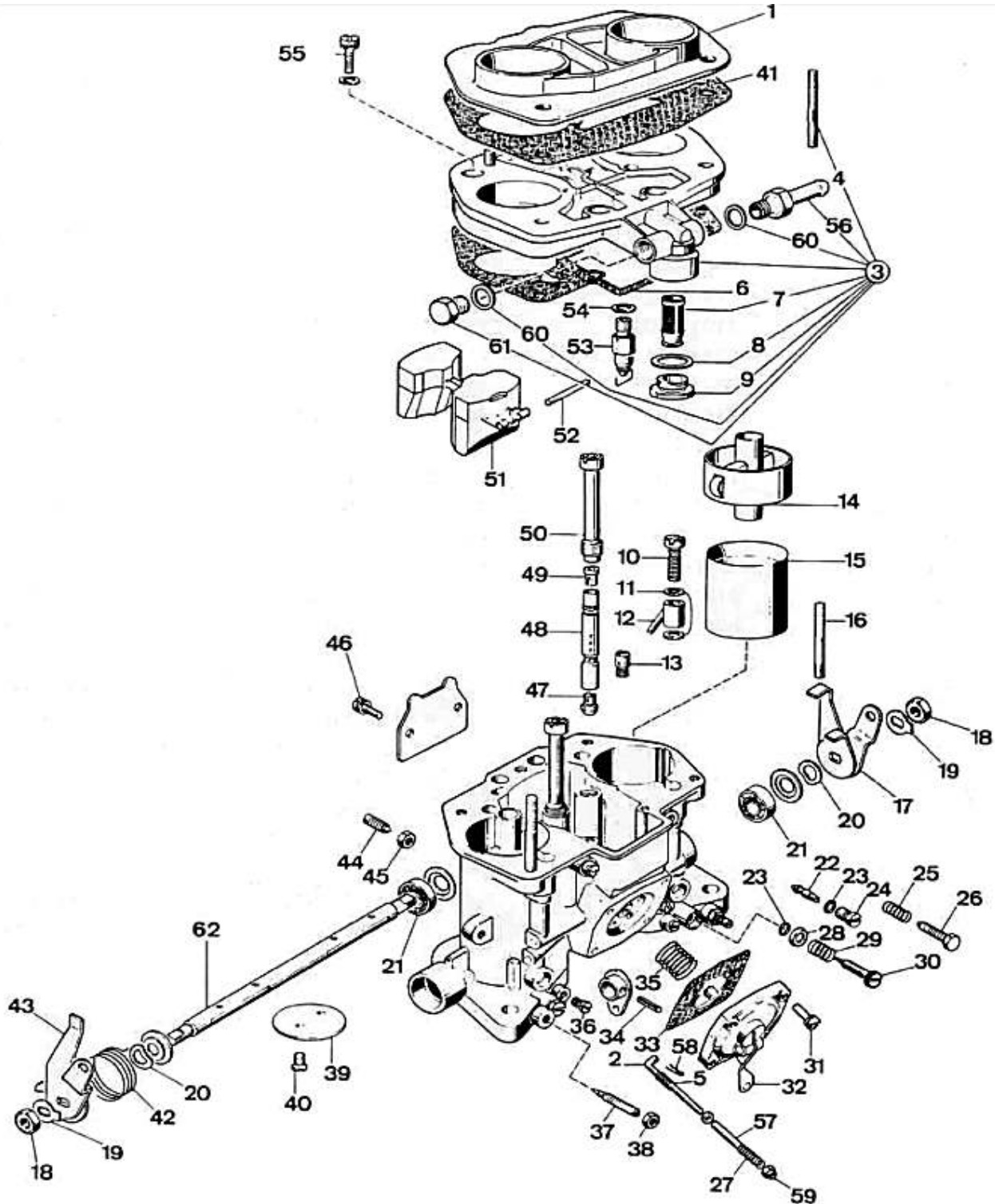




WEBER 40 IDF 70 - exploded view



<https://www.carbparts.eu>

Prices and product availability are subject to change



CarbDeal
Selling carburetor parts since 2005



WEBER 40 IDF 70 - Parts list

No	Part No	Price	Pcs	Description	No	Part No	Price	Pcs	Description
1	52848.003	€ 79.3	1	Air Horn	32	32486.085	€ 0	1	Pump Cover
2	61285.042	€ 0	1	Pump Control Rod	33	47407.207	€ 7.5	1	Pump Diaphragm
3	93.0078.05	€ 0	1	Carburetor Top Cover	34	58445.001	€ 0.4	1	Fixing Pin
4	64955.108	€ 4.5	2	Stud	35	47600.250	€ 5	1	Pump Diaphragm Spring
5	47600.252	€ 0	1	Pump Rod Spring	36	61015.005	€ 2.8	2	Vacuum Take-Off Cover
6	41705.085	€ 6.2	1	Carburetor Main Gasket	37	64750.029	€ 6.3	2	Air By-Pass Screw
7	37022.010	€ 3.7	1	Fuel Filter	38	34705.001	€ 0.8	2	Air By-Pass Screw Nut
8	41530.024	€ 0.3	1	Fuel Filter Gasket	39	64005.126	€ 26.1	2	Throttle Plate
9	61002.010	€ 6.2	1	Fuel Filter cover	40	64520.027	€ 0.6	4	Throttle Plate Fixing Screw
10	64290.016	€ 16.6	2	Pump Demand Valve	41	41655.020	€ 8.4	1	Air Horn Gasket
11	41530.012	€ 0	4	Pump Jet Gasket	42	47610.035	€ 6.3	1	Throttle Return Spring
12	76210	€ 12.6	2	Pump jet	43	45034.109	€ 51.8	1	Throttle Lever
13	79701	€ 6.6	1	Pump Exhaust Valve	44	64830.002	€ 12	2	Choke Tube Fixing Screw
14	69002.450	€ 57.3	2	Auxiliary Venturi	45	34715.010	€ 0	2	Choke Tube Fixing Screw Nut
15	71506	€ 15.9	2	Venturi (Choke Tube)	46	64700.013	€ 3.3	2	Fixing Screw
16	64955.114	€ 0	2	Stud	47	73401.115	€ 2.3	2	Main Jet
17	45034.110	€ 51.8	1	Throttle Lever	48	61450.031	€ 6.7	2	Emulsion tube
18	34710.003	€ 1	2	Throtle Spindle Nut	49	77401.200	€ 2.3	2	Air Corrector Jet
19	55520.004	€ 1	2	Lock Washer	50	52580.006	€ 7.1	2	Emulsion kTube Holder
20	55530.005	€ 3.7	2	Spring Ring	51	41030.008	€ 7.9	1	Float
21	32650.003	€ 0	2	Bearing	52	52000.001	€ 1.6	1	Float Pin
22	74405	€ 2.5	2	Idle Jet	53	79511.175	€ 7.4	1	Needle Valve
23	41565.002	€ 0.4	4	Idle Jet O Ring	54	83102.100	€ 1.6	1	Needle Valve Gasket
24	52570.006	€ 6.2	2	Idle Jet Holder	55	64700.005	€ 0.5	5	Top Cover Fixing Screw
25	47600.007	€ 2.2	1	Throttle Stop Screw Spring	56	10525.023	€ 2.4	1	Fuel Inlet Pipe
26	64625.015	€ 5.5	1	Throtle Stop Screw	57	12750.126	€ 0	1	Pump Adjustment Rod
27	47600.251	€ 12.9	1	Pump Rod Spring	58	32610.003	€ 1.4	1	Spring Clip
28	58000.006	€ 1.8	2	Mixture Screw O Ring Cap	59	34725.008	€ 0	1	Pump Rod Nut
29	47600.062	€ 2.7	2	Mixture Screw Spring	60	41535.003	€ 1.7	2	Fuel Pipe Gasket
30	64750.003	€ 2.5	2	Mixture Screw	61	61002.022	€ 8.3	1	Threaded Cap
31	64700.004	€ 2	4	Pump Cover Screw	62	10005.243	€ 34.3	1	Throttle Shaft

<https://www.carbparts.eu>

Prices and product availability are subject to change

