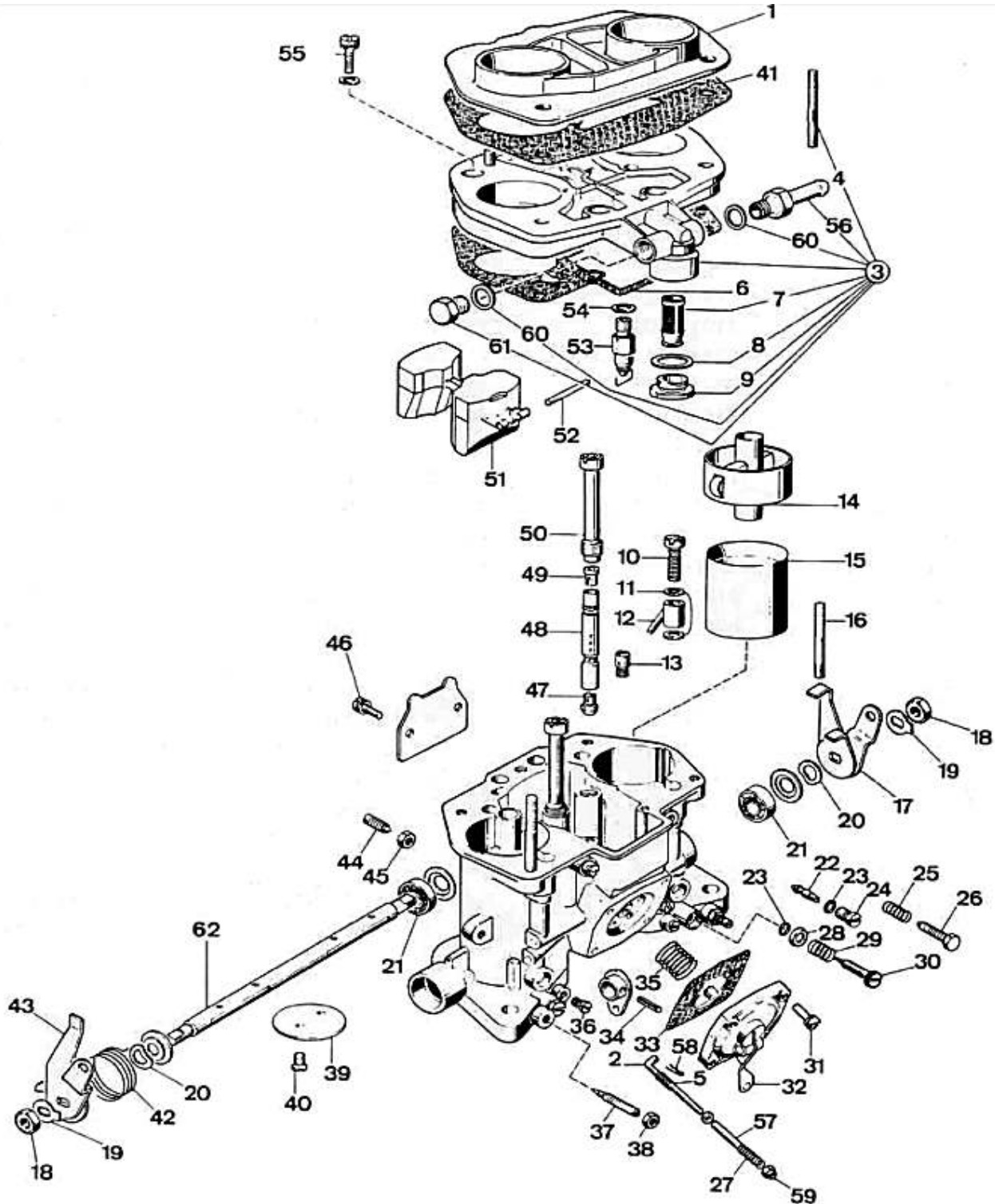




WEBER 40 IDF 70 - exploded view



<https://www.carbparts.eu>

Prices and product availability are subject to change



CarbDeal

Selling carburetor parts since 2005



WEBER 40 IDF 70 - Parts list

No	Part No	Price	Pcs	Description	No	Part No	Price	Pcs	Description
1	52848.003	£ 68.9	1	Air Horn	32	32486.085	£ 0	1	Pump Cover
2	61285.042	£ 0	1	Pump Control Rod	33	47407.207	£ 6.5	1	Pump Diaphragm
3	93.0078.05	£ 0	1	Carburetor Top Cover	34	58445.001	£ 0.4	1	Fixing Pin
4	64955.108	£ 3.9	2	Stud	35	47600.250	£ 4.3	1	Pump Diaphragm Spring
5	47600.252	£ 0	1	Pump Rod Spring	36	61015.005	£ 2.5	2	Vacuum Take-Off Cover
6	41705.085	£ 5.4	1	Carburetor Main Gasket	37	64750.029	£ 5.4	2	Air By-Pass Screw
7	37022.010	£ 3.2	1	Fuel Filter	38	34705.001	£ 0.7	2	Air By-Pass Screw Nut
8	41530.024	£ 0.2	1	Fuel Filter Gasket	39	64005.126	£ 22.7	2	Throttle Plate
9	61002.010	£ 5.4	1	Fuel Filter cover	40	64520.027	£ 0.5	4	Throttle Plate Fixing Screw
10	64290.016	£ 14.4	2	Pump Demand Valve	41	41655.020	£ 7.3	1	Air Horn Gasket
11	41530.012	£ 0	4	Pump Jet Gasket	42	47610.035	£ 5.4	1	Throttle Return Spring
12	76210	£ 10.9	2	Pump jet	43	45034.109	£ 45	1	Throttle Lever
13	79701	£ 5.7	1	Pump Exhaust Valve	44	64830.002	£ 10.4	2	Choke Tube Fixing Screw
14	69002.450	£ 49.8	2	Auxiliary Venturi	45	34715.010	£ 0	2	Choke Tube Fixing Screw Nut
15	71506	£ 13.8	2	Venturi (Choke Tube)	46	64700.013	£ 2.9	2	Fixing Screw
16	64955.114	£ 0	2	Stud	47	73401.115	£ 2	2	Main Jet
17	45034.110	£ 45	1	Throttle Lever	48	61450.031	£ 5.8	2	Emulsion tube
18	34710.003	£ 0.9	2	Throtle Spindle Nut	49	77401.200	£ 2	2	Air Corrector Jet
19	55520.004	£ 0.9	2	Lock Washer	50	52580.006	£ 6.2	2	Emulsion kTube Holder
20	55530.005	£ 3.2	2	Spring Ring	51	41030.008	£ 6.9	1	Float
21	32650.003	£ 0	2	Bearing	52	52000.001	£ 1.4	1	Float Pin
22	74405	£ 2.2	2	Idle Jet	53	79511.175	£ 6.4	1	Needle Valve
23	41565.002	£ 0.4	4	Idle Jet O Ring	54	83102.100	£ 1.4	1	Needle Valve Gasket
24	52570.006	£ 5.4	2	Idle Jet Holder	55	64700.005	£ 0.4	5	Top Cover Fixing Screw
25	47600.007	£ 1.9	1	Throttle Stop Screw Spring	56	10525.023	£ 2.1	1	Fuel Inlet Pipe
26	64625.015	£ 4.8	1	Throtle Stop Screw	57	12750.126	£ 0	1	Pump Adjustment Rod
27	47600.251	£ 11.2	1	Pump Rod Spring	58	32610.003	£ 1.2	1	Spring Clip
28	58000.006	£ 1.6	2	Mixture Screw O Ring Cap	59	34725.008	£ 0	1	Pump Rod Nut
29	47600.062	£ 2.3	2	Mixture Screw Spring	60	41535.003	£ 1.5	2	Fuel Pipe Gasket
30	64750.003	£ 2.2	2	Mixture Screw	61	61002.022	£ 7.2	1	Threaded Cap
31	64700.004	£ 1.7	4	Pump Cover Screw	62	10005.243	£ 29.8	1	Throttle Shaft

<https://www.carbparts.eu>

Prices and product availability are subject to change

