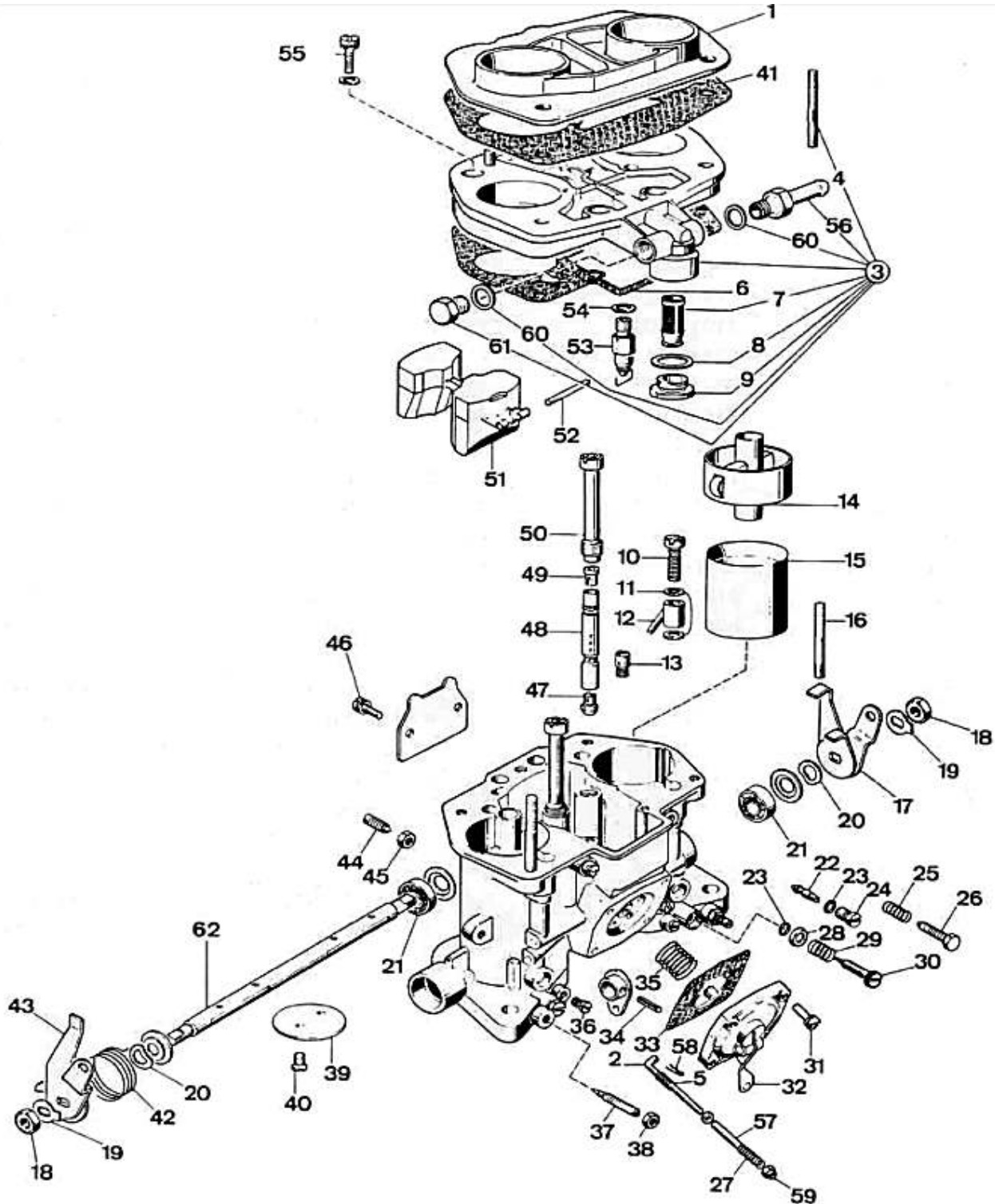




## WEBER 40 IDF 70 - exploded view



<https://www.carbparts.eu>

Prices and product availability are subject to change



**CarbDeal**  
Selling carburetor parts since 2005



## WEBER 40 IDF 70 - Parts list

No	Part No	Price	Pcs	Description	No	Part No	Price	Pcs	Description
1	52848.003	\$ 95.1	1	Air Horn	32	32486.085	\$ 0	1	Pump Cover
2	61285.042	\$ 0	1	Pump Control Rod	33	47407.207	\$ 9	1	Pump Diaphragm
3	93.0078.05	\$ 0	1	Carburetor Top Cover	34	58445.001	\$ 0.5	1	Fixing Pin
4	64955.108	\$ 5.4	2	Stud	35	47600.250	\$ 6	1	Pump Diaphragm Spring
5	47600.252	\$ 0	1	Pump Rod Spring	36	61015.005	\$ 3.4	2	Vacuum Take-Off Cover
6	41705.085	\$ 7.4	1	Carburetor Main Gasket	37	64750.029	\$ 7.5	2	Air By-Pass Screw
7	37022.010	\$ 4.4	1	Fuel Filter	38	34705.001	\$ 0.9	2	Air By-Pass Screw Nut
8	41530.024	\$ 0.3	1	Fuel Filter Gasket	39	64005.126	\$ 31.3	2	Throttle Plate
9	61002.010	\$ 7.4	1	Fuel Filter cover	40	64520.027	\$ 0.7	4	Throttle Plate Fixing Screw
10	64290.016	\$ 19.9	2	Pump Demand Valve	41	41655.020	\$ 10.1	1	Air Horn Gasket
11	41530.012	\$ 0	4	Pump Jet Gasket	42	47610.035	\$ 7.5	1	Throttle Return Spring
12	76210	\$ 15.1	2	Pump jet	43	45034.109	\$ 62.1	1	Throttle Lever
13	79701	\$ 7.9	1	Pump Exhaust Valve	44	64830.002	\$ 14.4	2	Choke Tube Fixing Screw
14	69002.450	\$ 68.7	2	Auxiliary Venturi	45	34715.010	\$ 0	2	Choke Tube Fixing Screw Nut
15	71506	\$ 19	2	Venturi (Choke Tube)	46	64700.013	\$ 4	2	Fixing Screw
16	64955.114	\$ 0	2	Stud	47	73401.115	\$ 2.7	2	Main Jet
17	45034.110	\$ 62.1	1	Throttle Lever	48	61450.031	\$ 8	2	Emulsion tube
18	34710.003	\$ 1.2	2	Throtle Spindle Nut	49	77401.200	\$ 2.7	2	Air Corrector Jet
19	55520.004	\$ 1.2	2	Lock Washer	50	52580.006	\$ 8.5	2	Emulsion kTube Holder
20	55530.005	\$ 4.4	2	Spring Ring	51	41030.008	\$ 9.5	1	Float
21	32650.003	\$ 0	2	Bearing	52	52000.001	\$ 1.9	1	Float Pin
22	74405	\$ 3	2	Idle Jet	53	79511.175	\$ 8.9	1	Needle Valve
23	41565.002	\$ 0.5	4	Idle Jet O Ring	54	83102.100	\$ 1.9	1	Needle Valve Gasket
24	52570.006	\$ 7.4	2	Idle Jet Holder	55	64700.005	\$ 0.6	5	Top Cover Fixing Screw
25	47600.007	\$ 2.6	1	Throttle Stop Screw Spring	56	10525.023	\$ 2.9	1	Fuel Inlet Pipe
26	64625.015	\$ 6.6	1	Throtle Stop Screw	57	12750.126	\$ 0	1	Pump Adjustment Rod
27	47600.251	\$ 15.5	1	Pump Rod Spring	58	32610.003	\$ 1.7	1	Spring Clip
28	58000.006	\$ 2.2	2	Mixture Screw O Ring Cap	59	34725.008	\$ 0	1	Pump Rod Nut
29	47600.062	\$ 3.2	2	Mixture Screw Spring	60	41535.003	\$ 2	2	Fuel Pipe Gasket
30	64750.003	\$ 3	2	Mixture Screw	61	61002.022	\$ 10	1	Threaded Cap
31	64700.004	\$ 2.4	4	Pump Cover Screw	62	10005.243	\$ 41.1	1	Throttle Shaft

<https://www.carbparts.eu>

Prices and product availability are subject to change

