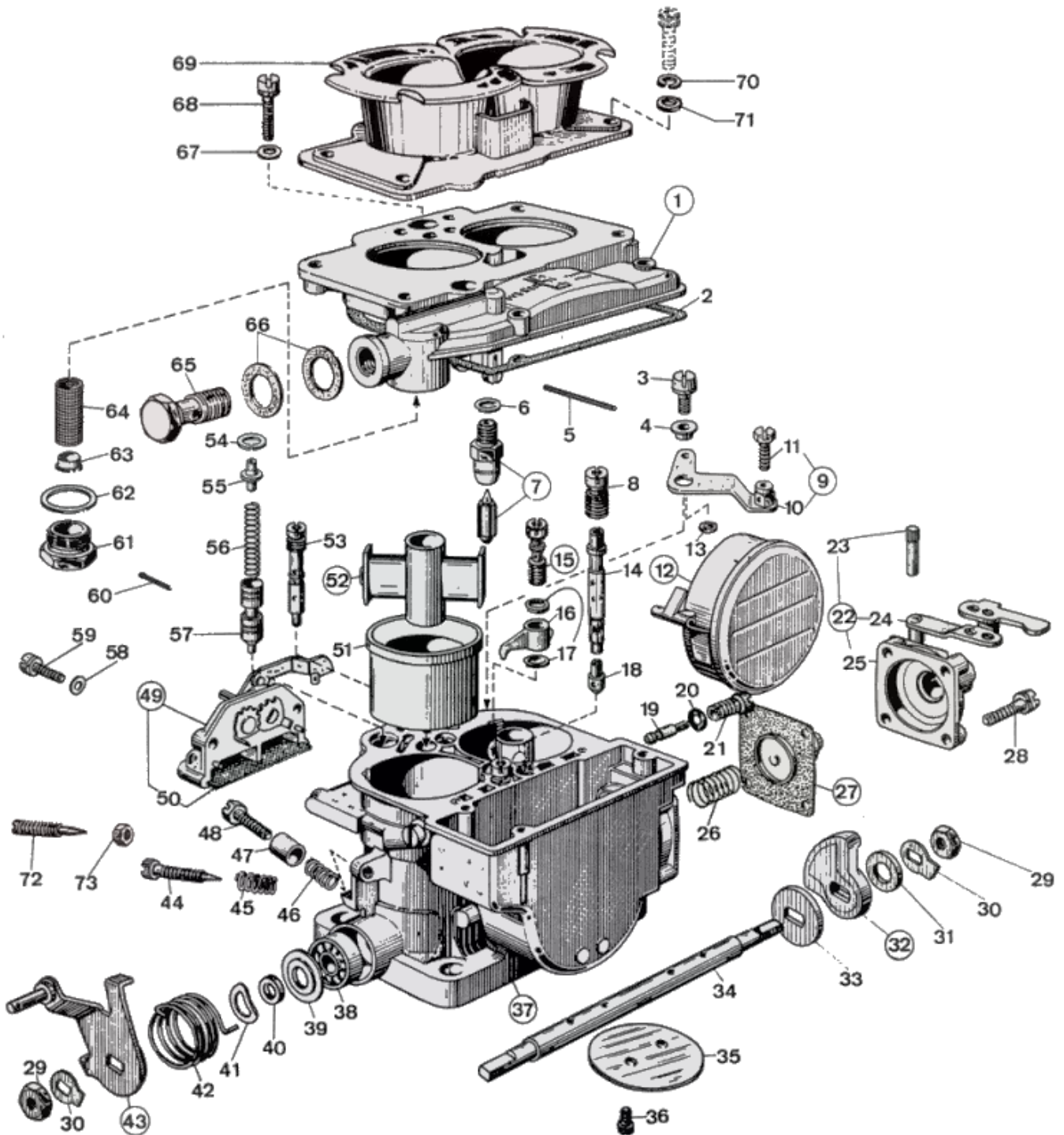




WEBER 42 DCNF 2 - exploded view



<https://www.carbparts.eu>

Prices and product availability are subject to change



CarbDeal
Selling carburetor parts since 2005



WEBER 42 DCNF 2 - Parts list

No	Part No	Price	Pcs	Description	No	Part No	Price	Pcs	Description
1	31716.096	€ 0	1	Carburetor Top Cover	38	32650.001	€ 3.3	2	Throttle Shaft Bearing
2	41705.029	€ 8.2	1	Top Cover Gasket	39	58000.017	€ 0	2	Spring Retaining Cover
3	64700.012	€ 2.8	1	Lever Fixing Screw	40	12750.053	€ 0	2	Shaft Distance Piece
4	12775.010	€ 8.7	1	Bushing For Lever	41	55530.010	€ 0	2	Wavy Washer
5	52000.010	€ 0	1	Float Fulcrum Pin	42	47610.078	€ 5.7	1	Primary Shaft Return Spring
6	41535.015	€ 0	1	Needle valve gasket	43	45041.050	€ 0	1	Throttles control lever
7	64240.015	€ 7.9	1	Float needle valve	44	64750.003	€ 2.5	2	Idle mixture screw
8	41370.001	€ 5	2	Emulsion tube holder air corrector	45	47600.007	€ 2.2	2	Idle Mixture Screw Spring
9	45096.020	€ 0	1	Leva a squadro completa di:	46	47600.007	€ 2.2	1	Throttle Stop Screw Spring
10	45096.019	€ 0	1	— Lever	47	12785.013	€ 0	1	Bushing
11	64615.004	€ 0	1	- Screw securing wire	48	64625.014	€ 0	1	Throttle Stop Screw
12	41015.005	€ 54.2	1	Float	49	32556.019	€ 0	1	Starter control, including:
13	55510.056	€ 1.4	1	Flat Washer	50	37000.016	€ 3.8	1	— Filter Screen
14	61450.225	€ 16.7	2	Emulsion Tube	51	34914.006	€ 0	2	Venturi (Choke)
15	64290.014	€ 16.2	1	Pump Delivery Valve	52	31956.003	€ 0	2	Auxiliary Venturi
16	41252.018	€ 0	1	Pump Jet	53	41205.151	€ 11.7	2	Starter Jet
17	41530.012	€ 0	2	Pump jet gasket	54	10140.002	€ 2.9	2	Spring Clip
18	41115.003	€ 3.3	2	Main jet	55	12775.024	€ 2.9	2	Spring guide and retainer
19	41160.005	€ 2.5	2	Idle jet	56	47600.139	€ 2.9	2	Starter Valve Spring
20	41565.002	€ 0.4	2	Idle jet holder O Ring seal	57	64330.008	€ 27	2	Starter Valve
21	52570.006	€ 6.2	2	Idle Jet Holder	58	55510.038	€ 0	2	Flat Washer
22	32486.036	€ 0	1	Accelerator Pump Cover Assembly Includes	59	64700.004	€ 2	2	Pump Cover Screw
23	52000.021	€ 0	1	— Pin	60	32610.006	€ 0	1	— Spilt pin
24	45138.008	€ 0	1	— Throttle Lever	61	61002.010	€ 6.2	1	Fuel Filter Cover
25	32484.001	€ 0	1	— Pump diaphragm cover	62	41530.024	€ 0.3	1	Fuel Filter Gasket
26	47600.092	€ 0	1	Pump Spring	63	61060.001	€ 0	1	Filter Washer
27	47407.050	€ 7.9	1	Pump diaphragm	64	37020.002	€ 4.9	1	Fuel Filter Element
28	64700.006	€ 0	4	Pump Cover Screw	65	12715.021	€ 35.3	1	Fuel Union Bolt
29	34710.003	€ 1	2	Throttle Spindle Nut	66	41530.001	€ 1.7	2	Gasket
30	55520.004	€ 1	2	Throttle Shaft Lock Washer	67	55510.034	€ 0.4	4	Spring Washer
31	55510.006	€ 0	1	Washer For Shaft	68	64700.005	€ 0.5	4	Top Cover Fixing Screw
32	14852.010	€ 0	1	Pump Cam	69	52848.001	€ 117	1	Air Horn
33	55555.005	€ 1.7	1	Shaft Spacer	70	55525.001	€ 0	4	Spring Washer
34	10005.211	€ 85	1	Throttle Shaft	71	55510.034	€ 0.4	4	Spring Washer
35	64005.033	€ 30.2	2	Throttle Valve	72	64750.002	€ 6.3	2	Air by-pass screw
36	64520.027	€ 0.6	4	Throttle plate screw	73		€ 0		
37	-	€ 0	1	Carburetor Body					

<https://www.carbparts.eu>

Prices and product availability are subject to change

