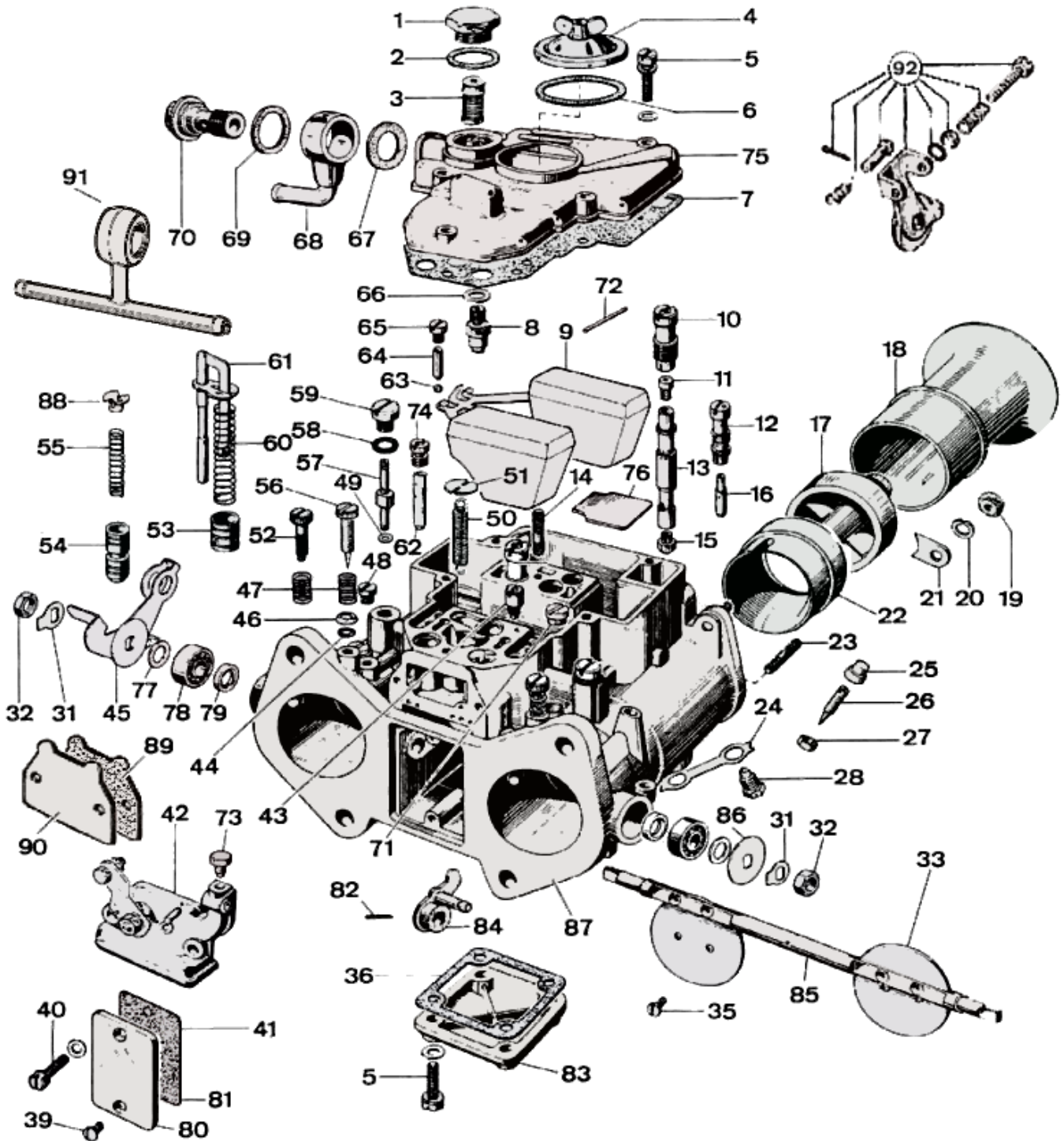




WEBER 45 DCOE 152 - exploded view



<https://www.carbparts.eu>

Prices and product availability are subject to change



CarbDeal
Selling carburetor parts since 2005



WEBER 45 DCOE 152 - Parts list

No	Part No	Price	Pcs	Description	No	Part No	Price	Pcs	Description
	92.0362.05	€ 0	1	Gasket kit	49	41535.021	€ 1.1	2	Pump Jet Gasket
	92.1514.05	€ 0	1	Repair kit	50	47605.012	€ 1.6	1	Spring
1	61002.010	€ 6.2	1	Filter cover	51	52210.006	€ 1.5	1	Spring Anchor Plate
2	41530.024	€ 0.3	1	Filter cover gasket	52	64625.012	€ 5.4	1	Throttle Stop Screw
3	37022.002	€ 3.7	1	Filter element	53	58602.003	€ 7.3	1	Pump plunger
4	32376.003	€ 7.9	1	Jet inspection cover	54	64330.003	€ 5.8	2	Starter valve
5	64700.001	€ 0.5	9	Screw	55	47600.105	€ 2.9	2	Starter valve spring
6	41550.002	€ 2.5	1	Jet inspection cover gasket	56	64750.003	€ 2.5	2	Idle mixture screw
7	41715.011	€ 1.7	1	Top cover gasket	57	76801.045	€ 4.8	2	Pump jet
8	79503.200	€ 7.2	1	Needle valve	58	41565.009	€ 0.6	2	Pump jet o ring
9	41030.034	€ 9.6	1	Float	59	61015.008	€ 7.5	2	Pump jet cover
10	52580.001	€ 4.6	2	Emulsion tube holder	60	47600.064	€ 4.6	1	Pump rod spring
11	77401.155	€ 2.3	2	Air corrector jet	61	10410.015	€ 7.5	1	Pump Rod
12	52585.006	€ 5.4	2	Idle jet holder	62	75507.085	€ 10	2	Starter jet
13	61450.181	€ 6.7	2	Emulsion tube	63	58300.003	€ 2.1	2	Pump Demand Valve Ball
14	64955.007	€ 11.6	1	Stud	64	52730.001	€ 3.3	2	Pump Valve Weight
15	73401.145	€ 2.3	2	Main jet	65	58070.008	€ 0	2	Pump Demand Valve Cover
16	74821.055	€ 2.9	2	Idle jet	66	83102.120	€ 0.3	1	Needle valve gasket
17	69602.450	€ 22.5	2	Auxillary venturi	67	41530.031	€ 0.3	1	Fuel union gasket
18	52840.001	€ 16.4	2	Air horn	68	10536.035	€ 6.7	1	Fuel union
19	34705.004	€ 0.6	4	Air horn fixing nut	69	41530.024	€ 0.3	1	Fuel union gasket
20	55525.010	€ 0.4	4	Spring nut	70	12715.008	€ 7.5	1	Fuel union bolt
21	52150.012	€ 10	4	Air horn tab	71	61015.009	€ 5	2	Progression Hole Inspection Cvr
22	72116.360	€ 15	2	Venturi (choke tube)	72	52000.001	€ 1.6	1	Float pin
23	64955.110	€ 0.3	4	Stud	73	64605.017	€ 1.8	1	Choke Cable Clamp
24	52155.003	€ 1.6	2	Lock Tab	74	77505.150	€ 5.8	2	Starter air jet
25	14945.003	€ 1.5	2	Air by-pass screw cap	75	31734.197	€ 57.6	1	Carburetor top cover
26	64750.002	€ 6.3	2	Air by-pass screw	76	52130.003	€ 1.7	1	Plate
27	34705.001	€ 0.8	2	By-pass screw lock nut	77	55510.128	€ 2.8	2	Washer
28	64840.003	€ 3.3	4	Locking screw	78	32650.001	€ 3.3	2	Bearing
31	55520.004	€ 1	2	Lock washer	79	41575.019	€ 3.1	2	O ring
32	34710.003	€ 1	2	Throttle nut	80	52135.024	€ 4.2	1	Inspection cover
33	64005.044	€ 10.8	2	Throttle plate	81	41640.021	€ 0.8	1	Inspection cover gasket
35	64520.027	€ 0.6	4	Throttle plate screw	82	58445.001	€ 0.4	1	Pin
36	41640.001	€ 2.5	1	Bottom cover gasket	83	32374.008	€ 11.7	1	Cover
39	64750.009	€ 0.7	2	Inspection cover fixing screw	84	45082.005	€ 13.9	1	Pump Cam
40	64700.004	€ 2	2	Choke cover fixing screw	85	10005.447	€ 102	1	Throttle spindle
41	41640.021	€ 0.8	1	Pump cover gasket	86	55555.010	€ 1.7	1	Washer
42	32556.018	€ 37.5	1	Choke cover	87		€ 0	1	Carburetor body
43	79701.040	€ 8.7	1	Pump Exhaust Valve	88	52030.003	€ 2.9	2	Spring retainer
44	41565.002	€ 0.4	2	Idle Mixture Screw 'O' Ring	89		€ 0	1	Blanking plate gasket
45	45048.007	€ 11.9	1	Throttle Lever	90	52135.008	€ 2.5	1	Blanking plate
46	58000.006	€ 1.8	2	Idle Mixture Screw Cup Washer	91	10536.034	€ 11.5	1	Fuel inlet T pipe
47	47600.007	€ 2.2	3	Spring	92	45048.149	€ 15	1	Balance lever
48	64590.008	€ 5.8	2	Vacuum Take-Off Cover					

<https://www.carbparts.eu>

Prices and product availability are subject to change

