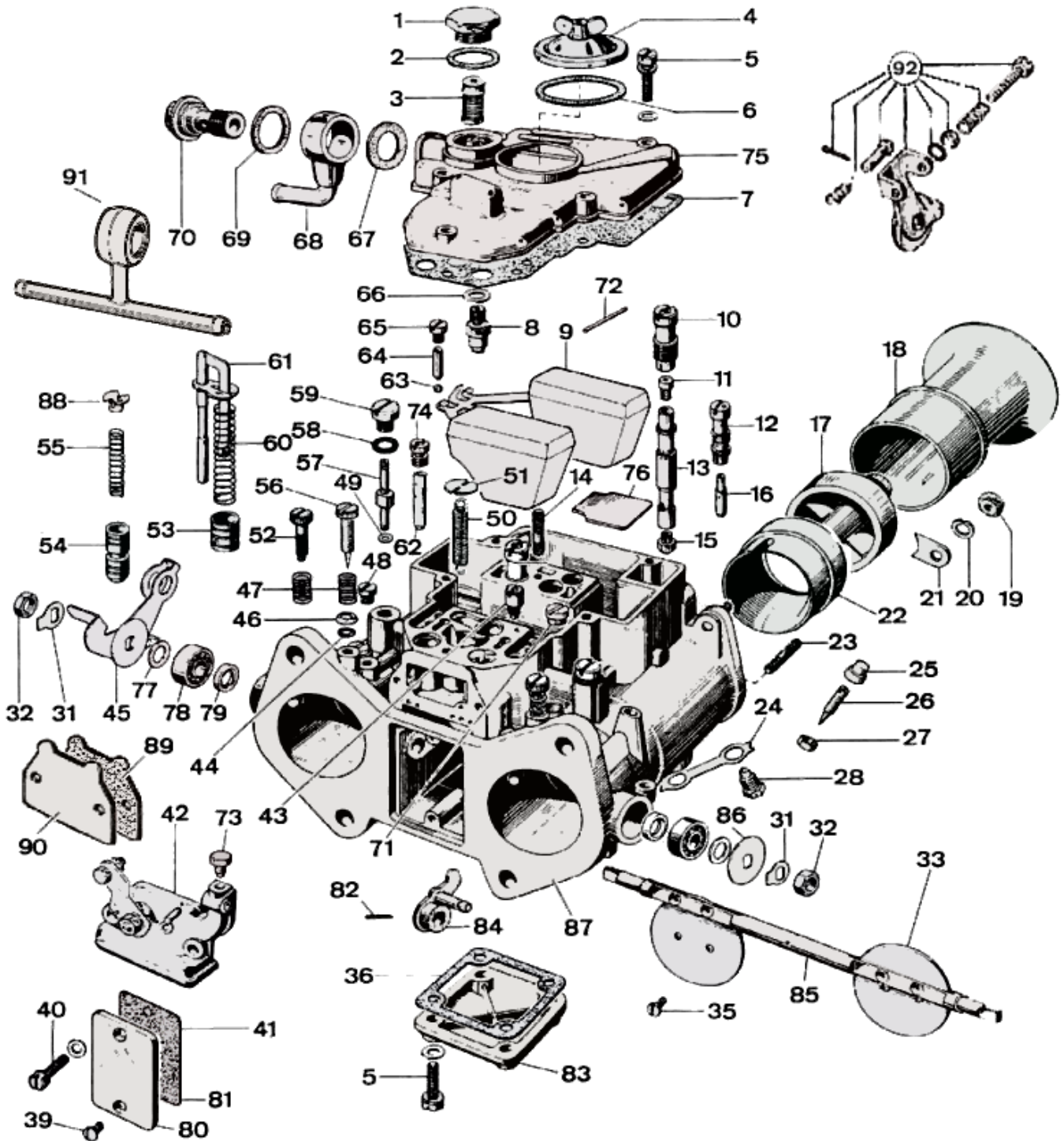




# WEBER 45 DCOE 152 - exploded view



<https://www.carbparts.eu>

Prices and product availability are subject to change



**CarbDeal**  
Selling carburetor parts since 2005



## WEBER 45 DCOE 152 - Parts list

No	Part No	Price	Pcs	Description	No	Part No	Price	Pcs	Description
	92.0362.05	£ 0	1	Gasket kit	49	41535.021	£ 0.9	2	Pump Jet Gasket
	92.1514.05	£ 0	1	Repair kit	50	47605.012	£ 1.4	1	Spring
1	61002.010	£ 5.4	1	Filter cover	51	52210.006	£ 1.3	1	Spring Anchor Plate
2	41530.024	£ 0.2	1	Filter cover gasket	52	64625.012	£ 4.7	1	Throttle Stop Screw
3	37022.002	£ 3.2	1	Filter element	53	58602.003	£ 6.4	1	Pump plunger
4	32376.003	£ 6.9	1	Jet inspection cover	54	64330.003	£ 5.1	2	Starter valve
5	64700.001	£ 0.4	9	Screw	55	47600.105	£ 2.5	2	Starter valve spring
6	41550.002	£ 2.2	1	Jet inspection cover gasket	56	64750.003	£ 2.2	2	Idle mixture screw
7	41715.011	£ 1.5	1	Top cover gasket	57	76801.045	£ 4.2	2	Pump jet
8	79503.200	£ 6.2	1	Needle valve	58	41565.009	£ 0.5	2	Pump jet o ring
9	41030.034	£ 8.3	1	Float	59	61015.008	£ 6.5	2	Pump jet cover
10	52580.001	£ 4	2	Emulsion tube holder	60	47600.064	£ 4	1	Pump rod spring
11	77401.155	£ 2	2	Air corrector jet	61	10410.015	£ 6.5	1	Pump Rod
12	52585.006	£ 4.7	2	Idle jet holder	62	75507.085	£ 8.7	2	Starter jet
13	61450.181	£ 5.8	2	Emulsion tube	63	58300.003	£ 1.8	2	Pump Demand Valve Ball
14	64955.007	£ 10.1	1	Stud	64	52730.001	£ 2.8	2	Pump Valve Weight
15	73401.145	£ 2	2	Main jet	65	58070.008	£ 0	2	Pump Demand Valve Cover
16	74821.055	£ 2.5	2	Idle jet	66	83102.120	£ 0.2	1	Needle valve gasket
17	69602.450	£ 19.6	2	Auxillary venturi	67	41530.031	£ 0.2	1	Fuel union gasket
18	52840.001	£ 14.3	2	Air horn	68	10536.035	£ 5.8	1	Fuel union
19	34705.004	£ 0.5	4	Air horn fixing nut	69	41530.024	£ 0.2	1	Fuel union gasket
20	55525.010	£ 0.4	4	Spring nut	70	12715.008	£ 6.5	1	Fuel union bolt
21	52150.012	£ 8.7	4	Air horn tab	71	61015.009	£ 4.3	2	Progression Hole Inspection Cvr
22	72116.360	£ 13	2	Venturi (choke tube)	72	52000.001	£ 1.4	1	Float pin
23	64955.110	£ 0.3	4	Stud	73	64605.017	£ 1.5	1	Choke Cable Clamp
24	52155.003	£ 1.4	2	Lock Tab	74	77505.150	£ 5.1	2	Starter air jet
25	14945.003	£ 1.3	2	Air by-pass screw cap	75	31734.197	£ 50	1	Carburetor top cover
26	64750.002	£ 5.4	2	Air by-pass screw	76	52130.003	£ 1.5	1	Plate
27	34705.001	£ 0.7	2	By-pass screw lock nut	77	55510.128	£ 2.4	2	Washer
28	64840.003	£ 2.9	4	Locking screw	78	32650.001	£ 2.8	2	Bearing
31	55520.004	£ 0.9	2	Lock washer	79	41575.019	£ 2.7	2	O ring
32	34710.003	£ 0.9	2	Throttle nut	80	52135.024	£ 3.6	1	Inspection cover
33	64005.044	£ 9.3	2	Throttle plate	81	41640.021	£ 0.7	1	Inspection cover gasket
35	64520.027	£ 0.5	4	Throttle plate screw	82	58445.001	£ 0.4	1	Pin
36	41640.001	£ 2.2	1	Bottom cover gasket	83	32374.008	£ 10.1	1	Cover
39	64750.009	£ 0.6	2	Inspection cover fixing screw	84	45082.005	£ 12	1	Pump Cam
40	64700.004	£ 1.7	2	Choke cover fixing screw	85	10005.447	£ 88.3	1	Throttle spindle
41	41640.021	£ 0.7	1	Pump cover gasket	86	55555.010	£ 1.5	1	Washer
42	32556.018	£ 32.6	1	Choke cover	87		£ 0	1	Carburetor body
43	79701.040	£ 7.5	1	Pump Exhaust Valve	88	52030.003	£ 2.5	2	Spring retainer
44	41565.002	£ 0.4	2	Idle Mixture Screw 'O' Ring	89		£ 0	1	Blanking plate gasket
45	45048.007	£ 10.4	1	Throttle Lever	90	52135.008	£ 2.2	1	Blanking plate
46	58000.006	£ 1.6	2	Idle Mixture Screw Cup Washer	91	10536.034	£ 10	1	Fuel inlet T pipe
47	47600.007	£ 1.9	3	Spring	92	45048.149	£ 13	1	Balance lever
48	64590.008	£ 5.1	2	Vacuum Take-Off Cover					

<https://www.carbparts.eu>

Prices and product availability are subject to change

