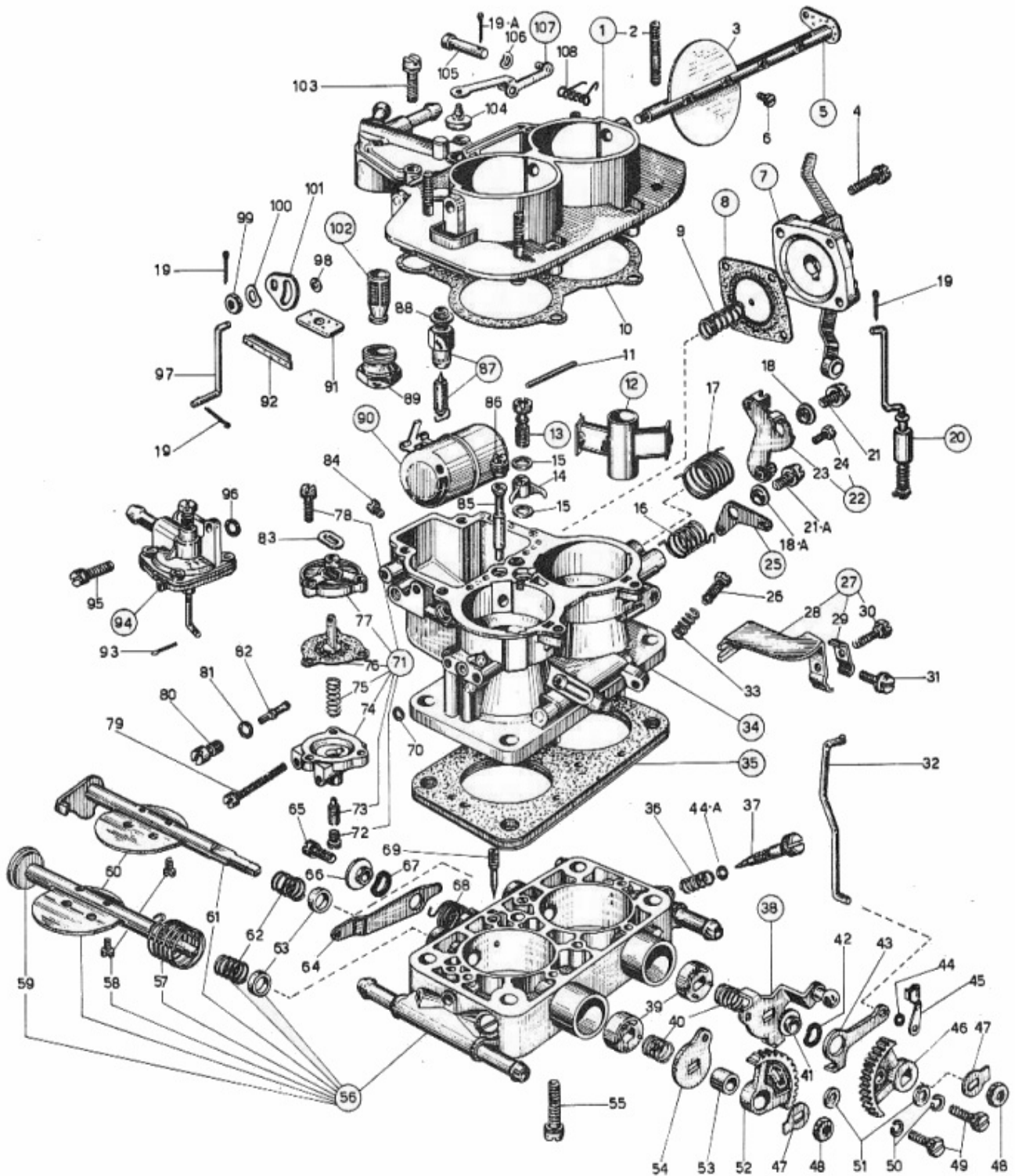




WEBER 45 DFC 1 - exploded view



<https://www.carbparts.eu>

Prices and product availability are subject to change



CarbDeal
Selling carburetor parts since 2005



WEBER 45 DFC 1 - Parts list

No	Part No	Price	Pcs	Description	No	Part No	Price	Pcs	Description
1	31716.116	€ 0	1	Carburetor cover Assy, including:	53	12750.046	€ 0	1	Boccola per settore dentato
2	64955.007	€ 11.6	4	Inspection cover stud	54	45025.102	€ 0	1	Leva comando settore dentato
3	64045.032	€ 0	2	Choke throttle valve	55	64700.018	€ 0	2	Fixing Screw
4	64700.004	€ 2	4	Pump Cover Screw	56	67016.006	€ 0	1	Zoccolo carburatore completo di :
5	10020.219	€ 0	1	Choke shaft	57	47610.077	€ 0	1	— Molla ritorno alberino
6	64525.003	€ 0	4	Choke plate fixing screw	58	64520.027	€ 0.6	4	Throttle plate screw
7	32486.038	€ 0	1	Accelerator Pump Cover	59	10015.226	€ 0	1	Secondary Throttle Shaft
8	47407.027	€ 7.5	1	Pump diaphragm	60	64005.040	€ 0	2	— Throttle valve
9	47600.092	€ 0	1	Pump Spring	61	10015.242	€ 0	1	Primary Throttle Shaft
10	41705.033	€ 6.2	1	Top Cover Gasket	62	47600.027	€ 0	2	Bush retaining spring
11	52000.015	€ 1.8	1	Float pivot	63	12750.085	€ 2.7	2	Bushing
12	31966.009	€ 0	2	Auxiliary venturi	64	45067.025	€ 0	1	Leva allentata minimo accelerato
13	64290.015	€ 0	1	Valve	65	64700.012	€ 2.8	1	Lever Fixing Screw
14	41252.013	€ 9.2	1	Pump Jet	66	12775.050	€ 0	1	Boccola per leva minimo accelerato
15	41530.012	€ 0	2	Pump jet gasket	67	55530.011	€ 0	1	Wavy Washer
16	47610.033	€ 0	1	Lever return spring	68	47610.085	€ 0	1	Molla per leva minimo accelerato
17	47610.003	€ 4.9	1	Choke lever return spring	69	64595.010	€ 0	2	Air by-pass screw
18-A	12775.010	€ 8.7	1	Bushing For Lever	70	41565.008	€ 0.8	1	O ring
18	12775.010	€ 8.7	1	Bushing For Lever	71	57804.040	€ 0	1	Dispositivo sgolfamento comprendente:
19-A	32610.005	€ 1.4	1	Spilt pin	72	61015.003	€ 0	1	— Tappo a vite
19	32610.005	€ 1.4	3	Spilt pin	73	64595.005	€ 9.1	1	— Diaphragm adjusting screw
20	61287.007	€ 0	1	Choke rod	74	57804.039	€ 0	1	— Scatola sgolfamento
21-A	64700.012	€ 2.8	1	Lever Fixing Screw	75	47600.070	€ 0	1	— Diaphragm loading spring
21	64700.012	€ 2.8	1	Lever Fixing Screw	76	47407.049	€ 0	1	— Choke diaphragm
22	45202.050	€ 0	1	Choke Lever - Including	77	32384.019	€ 0	1	— Coperchio membrana
23	45202.049	€ 0	1	— Throttle Lever	78	84700.004	€ 0	3	— Vite fissaggio coperchio membrana
24	64615.004	€ 0	1	- Screw securing wire	79	64700.021	€ 6.8	2	Fixing Screw
25	45103.022	€ 0	1	Lever	80	52570.006	€ 6.2	2	Idle Jet Holder
26	64625.007	€ 0.1	1	Throttle Adjustment Screw	81	41565.002	€ 0.4	2	O-Ring For Idle Jet Holder
27	58702.020	€ 0	1	Sheat support Assy. including:	82	41160.003	€ 2.5	2	Idle jet
28	58700.024	€ 0	1	- Sheat support	83	52135.019	€ 0	1	Dust seal plate
29	52145.004	€ 0	1	- Sheat securing plate	84	41120.001	€ 2.7	2	Main jet
30	64615.007	€ 0	1	- Screw securing wire	85	61440.153	€ 0	2	Emulsion Tube
31	64700.012	€ 2.8	1	Lever Fixing Screw	86	41360.001	€ 2.1	2	Air bleed jet
32	61280.071	€ 0	1	Tie rod	87	64240.008	€ 0	1	Float valve
33	47600.007	€ 2.2	1	Throttle Stop Screw Spring	88	41535.015	€ 0	1	Needle valve gasket
34	NON A F	€ 0	1	Carburetor Body	89	61002.018	€ 7.5	1	Fuel Filter Cover
35	39152.010	€ 0	1	Base Spacer Heat Gasket	90	41015.014	€ 0	1	Float
36	47600.095	€ 2.4	2	Idle Mixture Screw Spring	91	52135.010	€ 2.9	2	Dust seal plate
37	64750.026	€ 0	2	Idle Mixture Screw	92	61070.002	€ 2.9	2	Dust seal plug
38	45034.061	€ 0	1	Throttle Valve Control Lever	93	32610.005	€ 1.4	1	Spilt pin
39	50002.005	€ 7.6	2	Shaft Bushing	94	31800.011	€ 0	1	Capsula minimo accelerato
40	47600.027	€ 0	2	Bush retaining spring	95	64700.002	€ 0	2	Fixing Screw
41	12775.042	€ 0	1	Bushing	96	41565.008	€ 0.8	1	O ring
42	55530.002	€ 3	1	Wavy Washer	97	61280.073	€ 0	1	Tirantino comando sgolfamento
43	45067.020	€ 0	1	Fast idling loose lever	98	55510.080	€ 0	1	Spring Washer
44	41565.010	€ 0	1	Idle Mixture Screw O Ring	99	34715.006	€ 0	1	— Cold Start Nut
44-A	41565.010	€ 0	2	Idle Mixture Screw O Ring	100	55530.008	€ 3.6	1	Spring Ring
45	47670.003	€ 4.4	1	Rod Clamp	101	45129.010	€ 0	1	Lever
46	58202.019	€ 57.4	1	Primary Toothed Sector	102	37022.002	€ 3.7	1	Filter element
47	55520.004	€ 1	2	Throttle Shaft Lock Washer	103	64700.005	€ 0.5	6	Top Cover Fixing Screw
48	34710.003	€ 1	2	Throttle Spindle Nut	104	61065.006	€ 0	1	Tappo sfiato vaschetta
49	64615.002	€ 0	2	Vite fissaggio settori dentati	105	52010.092	€ 0	1	Pin
50	55525.001	€ 0	2	Spring Washer	106	55530.006	€ 0	1	— Wavy Washer
51	55510.046	€ 1.4	2	Washer for loose lever	107	45145.002	€ 0	1	Leva comando sfiato vaschetta
52	58202.020	€ 29.7	1	Throttle Shaft Gear	108	47610.046	€ 0	1	Spring

<https://www.carbparts.eu>

Prices and product availability are subject to change

