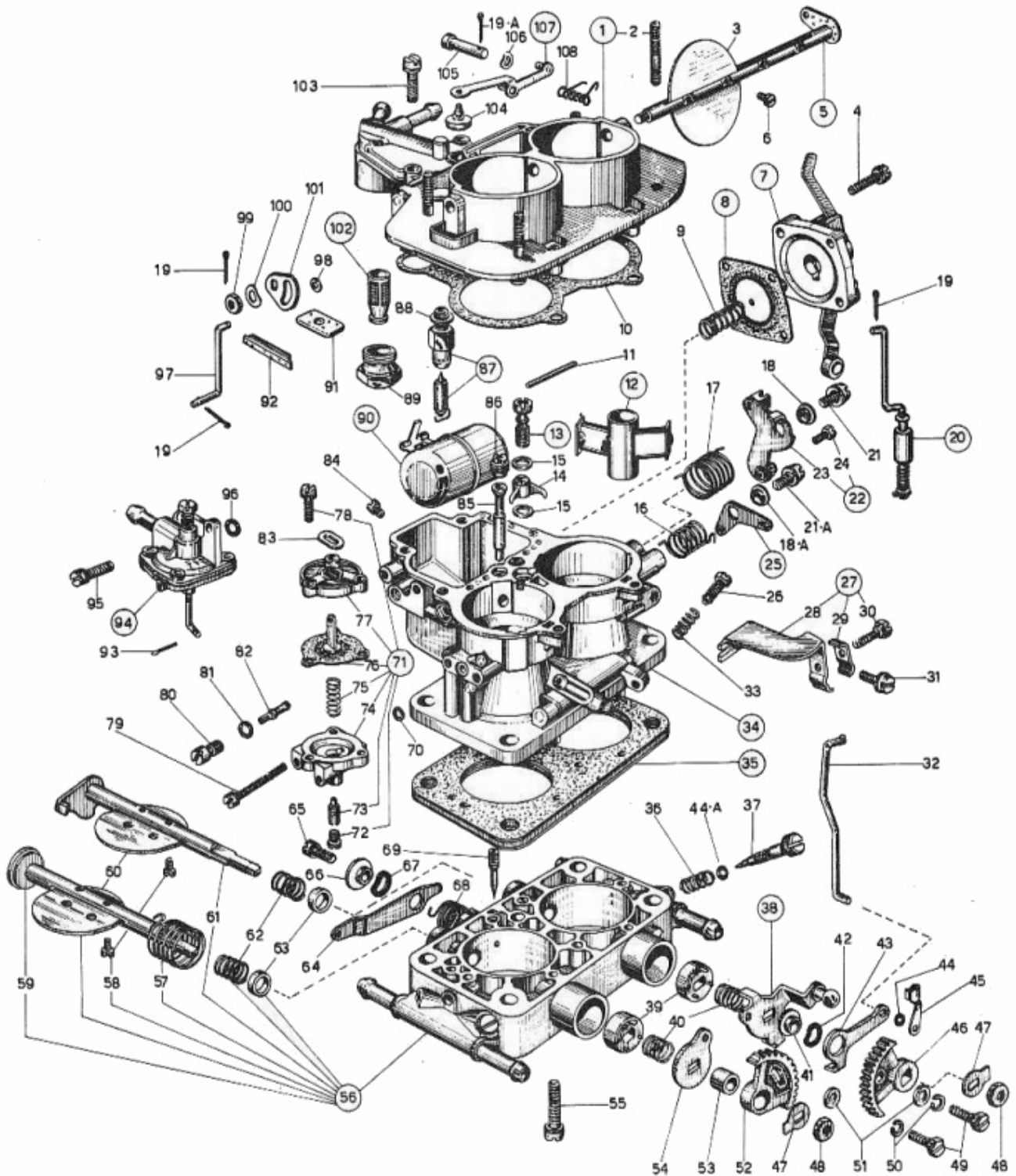




## WEBER 45 DFC 1 - exploded view



<https://www.carbparts.eu>

Prices and product availability are subject to change



## WEBER 45 DFC 1 - Parts list

No	Part No	Price	Pcs	Description	No	Part No	Price	Pcs	Description
1	31716.116	£ 0	1	Carburetor cover Assy, including:	53	12750.046	£ 0	1	Boccola per settore dentato
2	64955.007	£ 10.1	4	Inspection cover stud	54	45025.102	£ 0	1	Leva comando settore dentato
3	64045.032	£ 0	2	Choke throttle valve	55	64700.018	£ 0	2	Fixing Screw
4	64700.004	£ 1.7	4	Pump Cover Screw	56	67016.006	£ 0	1	Zoccolo carburatore completo di :
5	10020.219	£ 0	1	Choke shaft	57	47610.077	£ 0	1	— Molla ritorno alberino
6	64525.003	£ 0	4	Choke plate fixing screw	58	64520.027	£ 0.5	4	Throttle plate screw
7	32486.038	£ 0	1	Accelerator Pump Cover	59	10015.226	£ 0	1	Secondary Throttle Shaft
8	47407.027	£ 6.5	1	Pump diaphragm	60	64005.040	£ 0	2	— Throttle valve
9	47600.092	£ 0	1	Pump Spring	61	10015.242	£ 0	1	Primary Throttle Shaft
10	41705.033	£ 5.4	1	Top Cover Gasket	62	47600.027	£ 3.2	2	Bush retaining spring
11	52000.015	£ 1.5	1	Float pivot	63	12750.085	£ 2.4	2	Bushing
12	31966.009	£ 0	2	Auxiliary venturi	64	45067.025	£ 0	1	Leva allentata minimo accelerato
13	64290.015	£ 0	1	Valve	65	64700.012	£ 2.5	1	Lever Fixing Screw
14	41252.013	£ 7.9	1	Pump Jet	66	12775.050	£ 0	1	Boccola per leva minimo accelerato
15	41530.012	£ 0	2	Pump jet gasket	67	55530.011	£ 0	1	Wavy Washer
16	47610.033	£ 0	1	Lever return spring	68	47610.085	£ 0	1	Molla per leva minimo accelerato
17	47610.003	£ 4.2	1	Choke lever return spring	69	64595.010	£ 0	2	Air by-pass screw
18-A	12775.010	£ 7.6	1	Bushing For Lever	70	41565.008	£ 0.7	1	O ring
18	12775.010	£ 7.6	1	Bushing For Lever	71	57804.040	£ 0	1	Dispositivo sgolfamento comprendente:
19-A	32610.005	£ 1.2	1	Spilt pin	72	61015.003	£ 0	1	— Tappo a vite
19	32610.005	£ 1.2	3	Spilt pin	73	64595.005	£ 7.9	1	— Diaphragm adjusting screw
20	61287.007	£ 0	1	Choke rod	74	57804.039	£ 0	1	— Scatola sgolfamento
21-A	64700.012	£ 2.5	1	Lever Fixing Screw	75	47600.070	£ 0	1	— Diaphragm loading spring
21	64700.012	£ 2.5	1	Lever Fixing Screw	76	47407.049	£ 0	1	— Choke diaphragm
22	45202.050	£ 0	1	Choke Lever - Including	77	32384.019	£ 0	1	— Coperchio membrana
23	45202.049	£ 0	1	— Throttle Lever	78	84700.004	£ 0	3	— Vite fissaggio coperchio membrana
24	64615.004	£ 0	1	- Screw securing wire	79	64700.021	£ 5.8	2	Fixing Screw
25	45103.022	£ 0	1	Lever	80	52570.006	£ 5.4	2	Idle Jet Holder
26	64625.007	£ 0.1	1	Throttle Adjustment Screw	81	41565.002	£ 0.4	2	O-Ring For Idle Jet Holder
27	58702.020	£ 0	1	Sheat support Assy. including:	82	41160.003	£ 2.2	2	Idle jet
28	58700.024	£ 0	1	- Sheat support	83	52135.019	£ 0	1	Dust seal plate
29	52145.004	£ 0	1	- Sheat securing plate	84	41120.001	£ 2.3	2	Main jet
30	64615.007	£ 0	1	- Screw securing wire	85	61440.153	£ 0	2	Emulsion Tube
31	64700.012	£ 2.5	1	Lever Fixing Screw	86	41360.001	£ 1.8	2	Air bleed jet
32	61280.071	£ 0	1	Tie rod	87	64240.008	£ 0	1	Float valve
33	47600.007	£ 1.9	1	Throttle Stop Screw Spring	88	41535.015	£ 0	1	Needle valve gasket
34	NON A F	£ 0	1	Carburetor Body	89	61002.018	£ 6.5	1	Fuel Filter Cover
35	39152.010	£ 0	1	Base Spacer Heat Gasket	90	41015.014	£ 0	1	Float
36	47600.095	£ 2.1	2	Idle Mixture Screw Spring	91	52135.010	£ 2.5	2	Dust seal plate
37	64750.026	£ 0	2	Idle Mixture Screw	92	61070.002	£ 2.5	2	Dust seal plug
38	45034.061	£ 0	1	Throttle Valve Control Lever	93	32610.005	£ 1.2	1	Spilt pin
39	50002.005	£ 6.6	2	Shaft Bushing	94	31800.011	£ 0	1	Capsula minimo accelerato
40	47600.027	£ 3.2	2	Bush retaining spring	95	64700.002	£ 0	2	Fixing Screw
41	12775.042	£ 0	1	Bushing	96	41565.008	£ 0.7	1	O ring
42	55530.002	£ 2.6	1	Wavy Washer	97	61280.073	£ 0	1	Tirantino comando sgolfamento
43	45067.020	£ 0	1	Fast idling loose lever	98	55510.080	£ 0	1	Spring Washer
44	41565.010	£ 0	1	Idle Mixture Screw O Ring	99	34715.006	£ 0	1	— Cold Start Nut
44-A	41565.010	£ 0	2	Idle Mixture Screw O Ring	100	55530.008	£ 3.1	1	Spring Ring
45	47670.003	£ 3.8	1	Rod Clamp	101	45129.010	£ 0	1	Lever
46	58202.019	£ 49.8	1	Primary Toothed Sector	102	37022.002	£ 3.2	1	Filter element
47	55520.004	£ 0.9	2	Throttle Shaft Lock Washer	103	64700.005	£ 0.5	6	Top Cover Fixing Screw
48	34710.003	£ 0.9	2	Throttle Spindle Nut	104	61065.006	£ 0	1	Tappo sfiato vaschetta
49	64615.002	£ 0	2	Vite fissaggio settori dentati	105	52010.092	£ 0	1	Pin
50	55525.001	£ 0	2	Spring Washer	106	55530.006	£ 0	1	— Wavy Washer
51	55510.046	£ 1.9	2	Washer for loose lever	107	45145.002	£ 0	1	Leva comando sfiato vaschetta
52	58202.020	£ 25.8	1	Throttle Shaft Gear	108	47610.046	£ 0	1	Spring

<https://www.carbparts.eu>

Prices and product availability are subject to change

