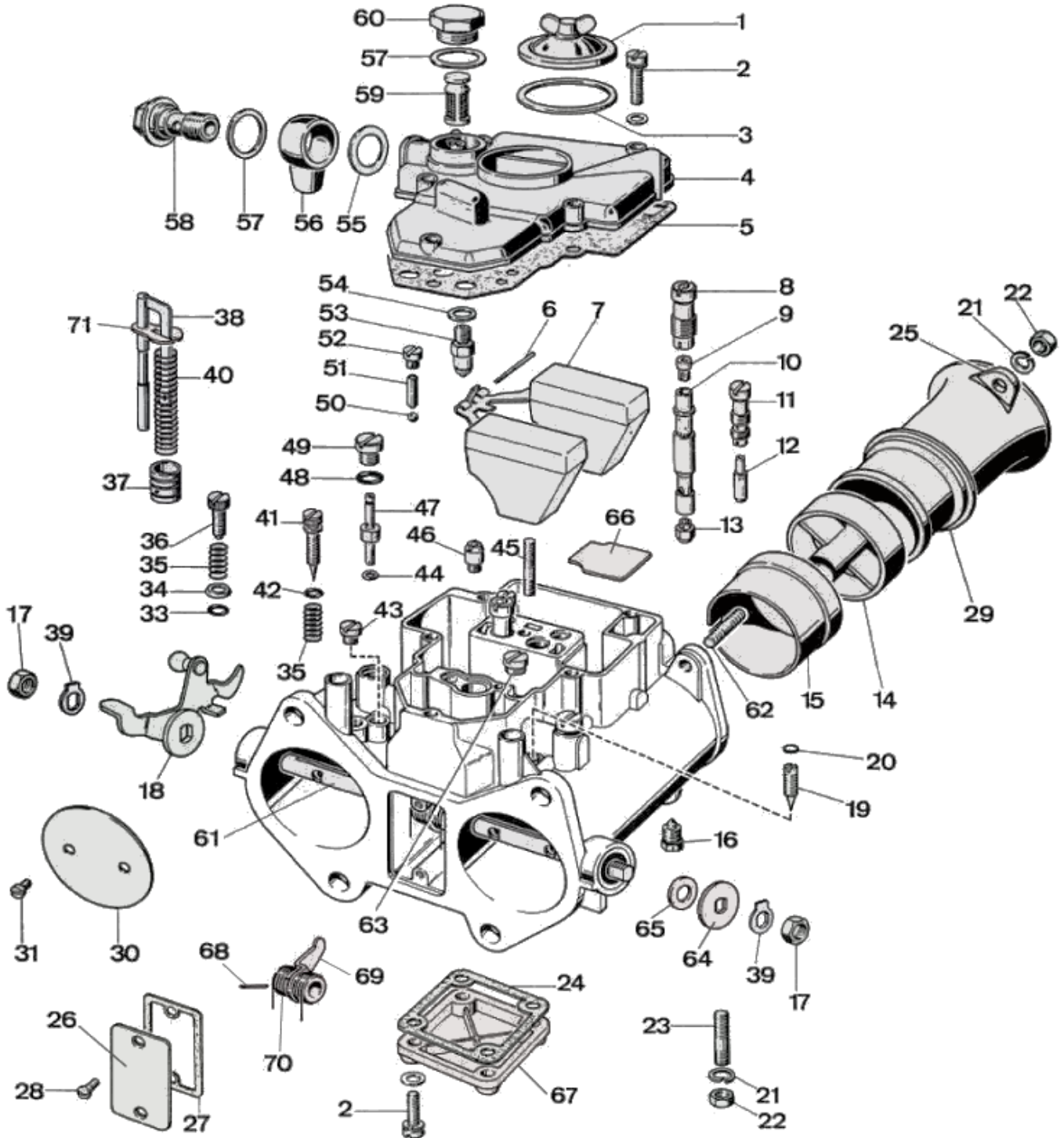




## WEBER 48 DCO SP - exploded view



<https://www.carbparts.eu>

Prices and product availability are subject to change



**CarbDeal**  
Selling carburetor parts since 2005



## WEBER 48 DCO SP - Parts list

No	Part No	Price	Pcs	Description	No	Part No	Price	Pcs	Description
1	32376.003	£ 6.8	1	Jet Inspection Cover	37	58602.003	£ 6.4	1	Pump Plunger
2	64700.001	£ 0.5	9	Screw	38	10410.015	£ 6.5	1	Pump Rod
3	41550.009	£ 0	1	Jet Inspection Cover Gasket	39	55520.004	£ 0.9	2	Throttle Lock Washer
4	31734.199	£ 49.4	1	Carburetor Cover	40	47600.068	£ 3.9	1	Pump Rod Spring
5	41715.011	£ 1.4	1	Carburetor Cover Gasket	41	64750.058	£ 4.3	2	Mixture Screw
6	52000.001	£ 1.4	1	Float	42	41565.015	£ 0	2	Mixture Screw 'O' Ring
7	41030.034	£ 8.2	1	Float Pin	43	64590.008	£ 5	2	Vacuum Take Off Cover
8	52580.001	£ 3.9	2	Emulsion Tube Holder	44	41535.021	£ 1	2	Pump Jet Gasket
9	77401.160	£ 2	2	Air Corrector	45	64955.007	£ 10	1	Stud
10	61450.091	£ 5.7	2	Emulsion Tube	46	79701.100	£ 13.5	1	Pump Exhaust Valve
11	52585.006	£ 4.7	2	Idle Jet Holder	47	76801.045	£ 4.2	2	Pump Jet
12	74821.065	£ 2.5	2	Idle Jet	48	41565.009	£ 0.5	2	Pump Jet Cover 'O' Ring
13	73401.180	£ 2	2	Main Jet	49	61015.008	£ 6.5	2	Pump Jet Cover Screw
14	68820.500	£ 49.7	2	Auxiliary Venturi	50	58300.003	£ 1.8	2	Pump Demand Valve Ball
15	72136.420	£ 16.5	2	Venturi (Choke Tube)	51	52730.001	£ 2.8	2	Pump Demand Valve Weight
16	64840.003	£ 2.9	4	Screw	52	61015.006	£ 2.8	2	Pump Demand Valve Cover
17	34710.003	£ 0.9	1	Throttle Nut	53	79503.250	£ 6.3	1	Needle Valve
18	45041.145	£ 0	1	Throtle Lever	54	83102.100	£ 1.4	1	Needle Valve Gasket
19	64595.012	£ 0	2	Air By-Pass Screw	55	41530.031	£ 0.2	1	Fuel Union Gasket
20	61030.008	£ 0	2	Air By-Pass Screw Cover	56	10354.019	£ 19.9	1	Fuel Union
21	55525.010	£ 0.4	5	Spring Washer	57	41530.024	£ 0.2	2	Fuel Union and Filter Cover Gasket
22	34705.004	£ 0.5	5	Support Bracket Fixing Nut	58	12715.008	£ 6.5	1	Fuel Union Bolt
23	64955.104	£ 0	1	Support Bracket Stud	59	37022.002	£ 3.2	1	Fuel Filter
24	41640.066	£ 2.2	1	Bottom Cover Gasket	60	61002.010	£ 5.4	1	Fuel Filter Cover
25	52135.053	£ 9.9	4	Air Horn Ta b	61	10020.424	£ 0	1	Throttle Shaft
26	52135.025	£ 0	1	Inspection Cover	62	64955.110	£ 0.3	4	Stud
27	41640.065	£ 0.6	1	Inspection Cover Gasket	63	61015.009	£ 4.3	2	Progression Hole Inspection Cover
28	64570.009	£ 0.6	2	Inspection Cover Fixing Screw	64	55555.010	£ 1.4	1	Washer
29	52840.034	£ 13.6	1	Air Horn	65	55510.128	£ 2.4	2	Washer
30	64005.108	£ 16.6	2	Throttle Plate	66	52130.003	£ 1.4	1	Plate
31	64520.027	£ 0.5	4	Throttle Plate Fixing Screw	67	32374.008	£ 10	1	Bottom Cover
32	64955.110	£ 0.3	4	Stud	68	58445.001	£ 0.4	1	Pin
33	41565.002	£ 0.4	1	Throttle Stop Screw 'O' Ring	69	45082.020	£ 0	1	Pump Cam
34	58000.006	£ 1.7	1	Throttle Stop Screw 'O' Ring Cap	70	47605.028	£ 6.5	1	Throttle Return Spring
35	47600.007	£ 1.9	3	Mixture Screw Spring	71.		£ 0		
36	64625.015	£ 4.8	1	Throttle Stop Screw					

<https://www.carbparts.eu>

Prices and product availability are subject to change

