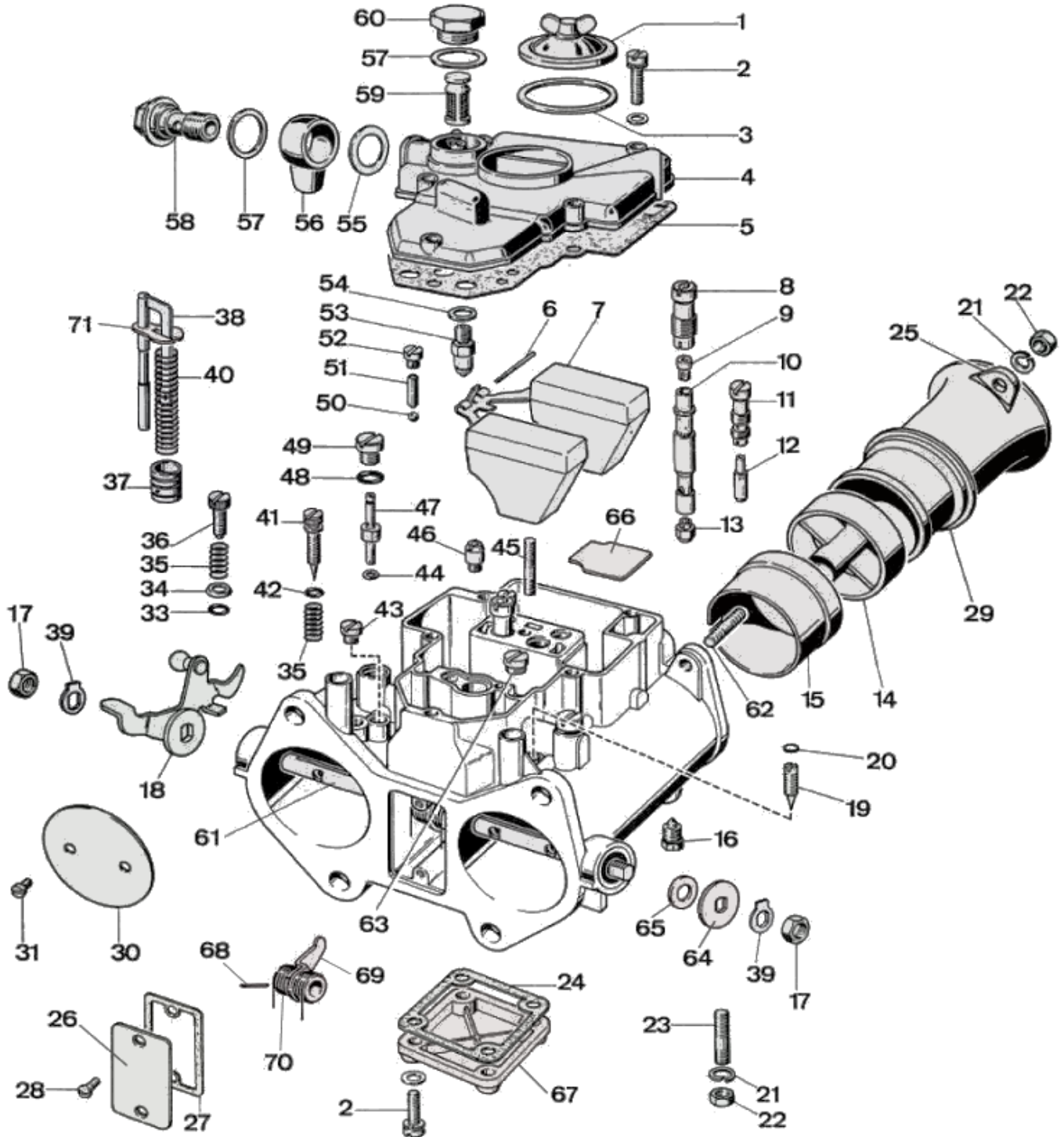




## WEBER 48 DCO SP - exploded view



<https://www.carbparts.eu>

Prices and product availability are subject to change



**CarbDeal**  
Selling carburetor parts since 2005



## WEBER 48 DCO SP - Parts list

No	Part No	Price	Pcs	Description	No	Part No	Price	Pcs	Description
1	32376.003	\$ 9.5	1	Jet Inspection Cover	37	58602.003	\$ 8.8	1	Pump Plunger
2	64700.001	\$ 0.6	9	Screw	38	10410.015	\$ 9	1	Pump Rod
3	41550.009	\$ 0	1	Jet Inspection Cover Gasket	39	55520.004	\$ 1.2	2	Throttle Lock Washer
4	31734.199	\$ 69	1	Carburetor Cover	40	47600.068	\$ 5.5	1	Pump Rod Spring
5	41715.011	\$ 2	1	Carburetor Cover Gasket	41	64750.058	\$ 6	2	Mixture Screw
6	52000.001	\$ 1.9	1	Float	42	41565.015	\$ 0	2	Mixture Screw 'O' Ring
7	41030.034	\$ 11.5	1	Float Pin	43	64590.008	\$ 7	2	Vacuum Take Off Cover
8	52580.001	\$ 5.5	2	Emulsion Tube Holder	44	41535.021	\$ 1.3	2	Pump Jet Gasket
9	77401.160	\$ 2.7	2	Air Corrector	45	64955.007	\$ 13.9	1	Stud
10	61450.091	\$ 8	2	Emulsion Tube	46	79701.100	\$ 18.7	1	Pump Exhaust Valve
11	52585.006	\$ 6.5	2	Idle Jet Holder	47	76801.045	\$ 5.8	2	Pump Jet
12	74821.065	\$ 3.5	2	Idle Jet	48	41565.009	\$ 0.7	2	Pump Jet Cover 'O' Ring
13	73401.180	\$ 2.7	2	Main Jet	49	61015.008	\$ 9	2	Pump Jet Cover Screw
14	68820.500	\$ 68.7	2	Auxiliary Venturi	50	58300.003	\$ 2.5	2	Pump Demand Valve Ball
15	72136.420	\$ 22.7	2	Venturi (Choke Tube)	51	52730.001	\$ 3.9	2	Pump Demand Valve Weight
16	64840.003	\$ 4	4	Screw	52	61015.006	\$ 3.9	2	Pump Demand Valve Cover
17	34710.003	\$ 1.2	1	Throttle Nut	53	79503.250	\$ 8.6	1	Needle Valve
18	45041.145	\$ 0	1	Throtle Lever	54	83102.100	\$ 1.9	1	Needle Valve Gasket
19	64595.012	\$ 0	2	Air By-Pass Screw	55	41530.031	\$ 0.3	1	Fuel Union Gasket
20	61030.008	\$ 0	2	Air By-Pass Screw Cover	56	10354.019	\$ 27.5	1	Fuel Union
21	55525.010	\$ 0.5	5	Spring Washer	57	41530.024	\$ 0.3	2	Fuel Union and Filter Cover Gasket
22	34705.004	\$ 0.7	5	Support Bracket Fixing Nut	58	12715.008	\$ 9	1	Fuel Union Bolt
23	64955.104	\$ 0	1	Support Bracket Stud	59	37022.002	\$ 4.4	1	Fuel Filter
24	41640.066	\$ 3	1	Bottom Cover Gasket	60	61002.010	\$ 7.4	1	Fuel Filter Cover
25	52135.053	\$ 13.6	4	Air Horn Ta b	61	10020.424	\$ 0	1	Throttle Shaft
26	52135.025	\$ 0	1	Inspection Cover	62	64955.110	\$ 0.4	4	Stud
27	41640.065	\$ 0.9	1	Inspection Cover Gasket	63	61015.009	\$ 6	2	Progression Hole Inspection Cover
28	64570.009	\$ 0.8	2	Inspection Cover Fixing Screw	64	55555.010	\$ 2	1	Washer
29	52840.034	\$ 19	1	Air Horn	65	55510.128	\$ 3.3	2	Washer
30	64005.108	\$ 22.9	2	Throttle Plate	66	52130.003	\$ 2	1	Plate
31	64520.027	\$ 0.7	4	Throttle Plate Fixing Screw	67	32374.008	\$ 14	1	Bottom Cover
32	64955.110	\$ 0.4	4	Stud	68	58445.001	\$ 0.5	1	Pin
33	41565.002	\$ 0.5	1	Throttle Stop Screw 'O' Ring	69	45082.020	\$ 0	1	Pump Cam
34	58000.006	\$ 2.2	1	Throttle Stop Screw 'O' Ring Cap	70	47605.028	\$ 9	1	Throttle Return Spring
35	47600.007	\$ 2.6	3	Mixture Screw Spring	71.		\$ 0		
36	64625.015	\$ 6.6	1	Throttle Stop Screw					

<https://www.carbparts.eu>

Prices and product availability are subject to change

