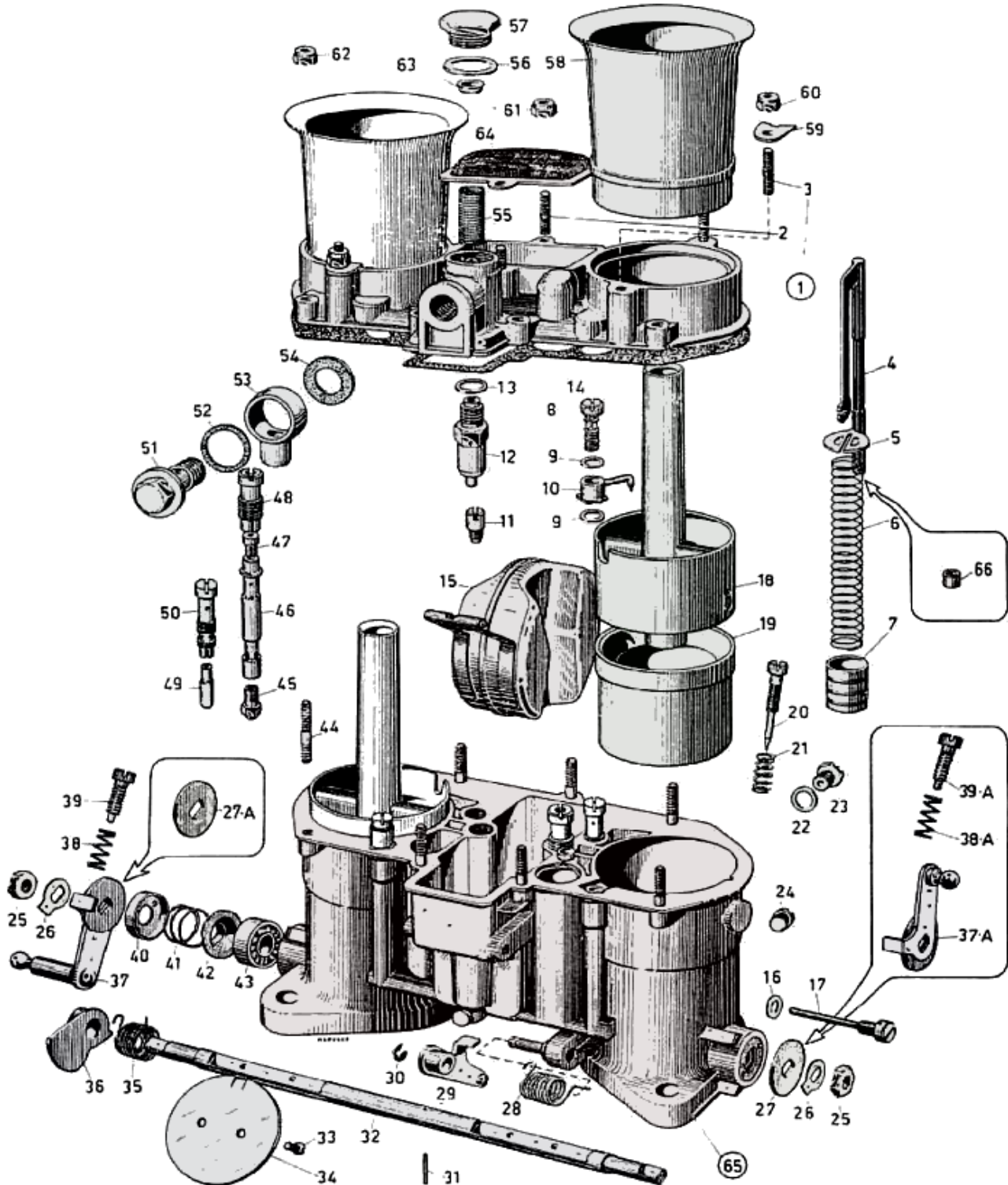


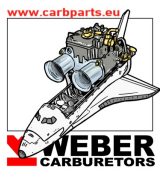


## WEBER 48 IDA - exploded view



<https://www.carbparts.eu>

Prices and product availability are subject to change



**CarbDeal**  
Selling carburetor parts since 2005



## WEBER 48 IDA - Parts list

No	Part No	Price	Pcs	Description	No	Part No	Price	Pcs	Description
	92.1050.05	€ 0	1	Repair Kit	33	64570.006	€ 2.1	4	Throttle Shaft Screws
	92.0034.05	€ 0	1	Gasket Set	34	64005.091	€ 29.7	2	Throttle Valves
1	31716.056	€ 0	1	Carburetor Top Cover	35	47610.067	€ 5.5	1	Throttle Return Spring
2	64955.009	€ 4.5	2	Stud	36	14852.001	€ 0	1	Cam
3	64955.003	€ 0	4	Stud	37	45034.066	€ 0	1	Throttle Lever
4	10410.021	€ 20	1	Pump Rod	38	47600.007	€ 2.2	1	Throttle Stop Screw Spring
5	52140.007	€ 6.2	1	Spring Retaining Clip	39	64590.002	€ 9.1	1	Throttle Stop Screw
6	47600.103	€ 1.6	1	Pump Spring	40	48000.007	€ 0	2	Compression Spring Cover
7	58602.005	€ 10.8	1	Pump Plunger	41	47600.063	€ 1.8	2	Compression Spring
8	64290.003	€ 24.9	2	Pump Demand Valve	42	41570.001	€ 1	2	Dust Cap
9	41530.012	€ 0	4	Pump Jet 'O' Ring	43	32650.001	€ 3.3	2	Roller Bearing
10	76402.050	€ 32.1	2	Pump Jet	44	64955.012	€ 0	7	Stud
11	79701.000	€ 8.7	1	Pump Exhaust Valve	45	73401.135	€ 2.3	2	Main Jet
12	79504.200	€ 17.8	1	Needle Valve	46	61450.091	€ 6.7	2	Emulsion Tube
13	41530.032	€ 0	1	Needle Valve 'O' Ring	47	77401.120	€ 5.7	2	Air Corrector Jet
14	41705.021	€ 4.2	1	Top Cover Gasket	48	52580.001	€ 4.6	2	Emulsion Tube Holder
15	41015.007	€ 20	1	Float	49	74823.070	€ 0	2	Idle Jet
16	41530.017	€ 0	1	O' Ring	50	77903.120	€ 23	2	Idle Jet Holder
17	64900.012	€ 21.2	1	Float Spindle	51	12715.008	€ 7.5	1	Fuel Rail Bolt
18	69009.450	€ 57.3	2	Auxiliary Venturi	52	41530.024	€ 0.3	1	Gasket
19	72128.370	€ 0	2	Venturi (Choke Tube)	53	10354.001	€ 0	1	Fuel Banjo
20	64750.007	€ 15.8	2	Idle Mixture Screw	54	41530.031	€ 0.3	1	Gasket
21	47600.007	€ 2.2	2	Idle Mixture Screw Spring	55	37020.005	€ 3.7	1	Fuel Filter Element
22	41530.008	€ 0	1	O' ring	56	41530.024	€ 0.3	1	Fuel Filter Cover Gasket
23	61002.006	€ 2.9	1	Threaded Cover	57	61002.010	€ 6.2	1	Fuel Filter Cover
24	61015.001	€ 9.3	2	Progression Hole Inspection Cvr	58	52840.027	€ 66	2	Air Horn
25	34710.003	€ 1	2	Throttle Shaft Nut	59	52150.015	€ 1.1	4	Air Horn Fixing Tab
26	55520.004	€ 1	2	Lock Washer	60	34725.003	€ 1.8	4	Air Horn Fixing Tab Nut
27	55555.010	€ 1.7	1	Washer	61	34725.003	€ 1.8	2	Gauze Cover Nut
28	47610.066	€ 5.5	1	Throttle Return Spring	62	34725.003	€ 1.8	7	Carburetor Top Cover Nut
29	45034.074	€ 59	1	Pump Lever	63	12775.026	€ 2.9	1	Filter Locating Ring
30	10140.502	€ 2.1	1	Spring Washer	64	37012.004	€ 34.6	1	Gauze Cover
31	58445.001	€ 0.4	1	Pin	65		€ 0	1	Carburetor boy
32	10005.425	€ 43.5	1	Throttle Shaft	66	12750.077	€ 0	1	Pump Rod Bush

<https://www.carbparts.eu>

Prices and product availability are subject to change

