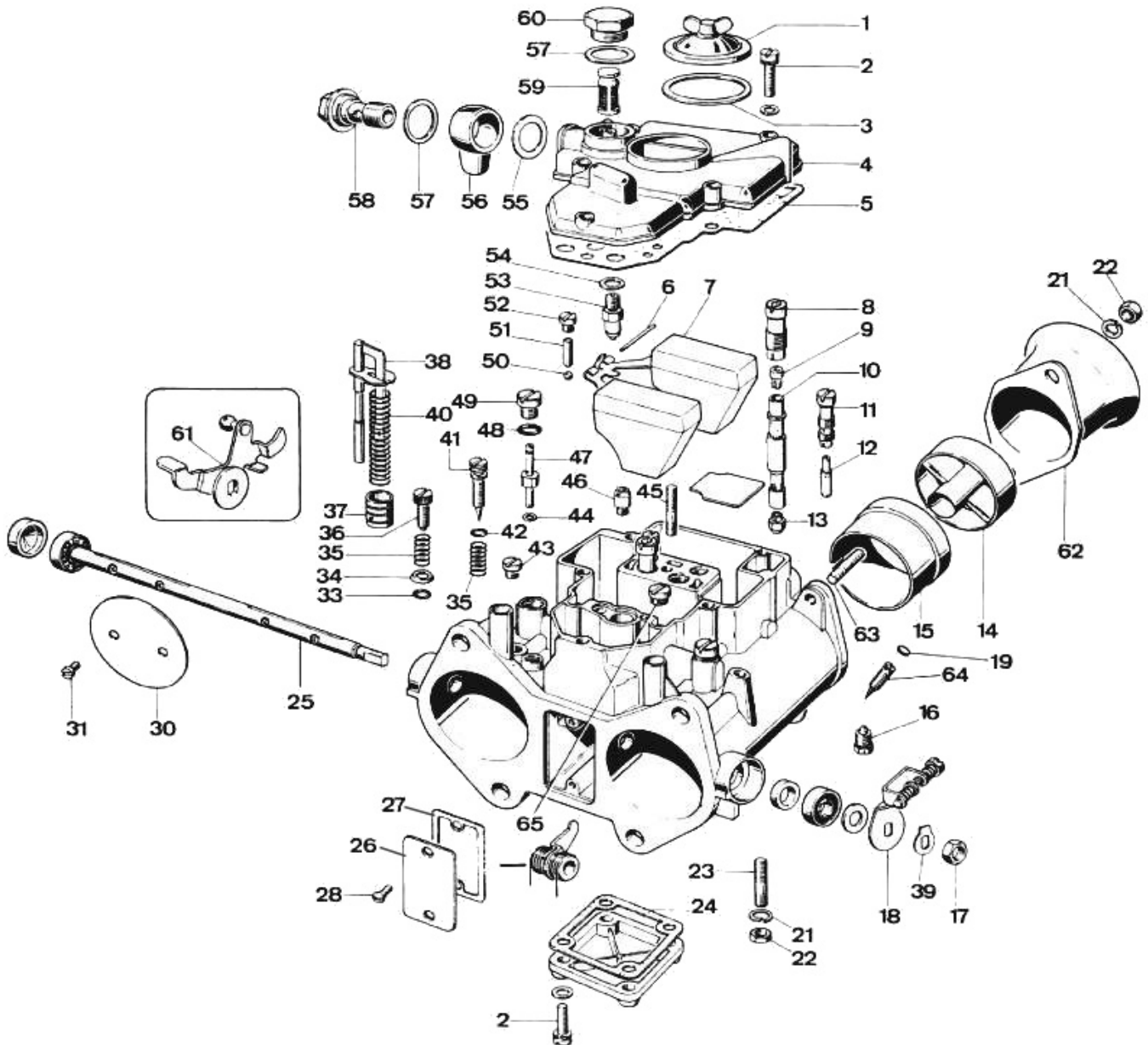


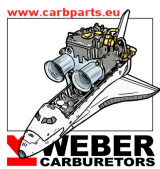


WEBER 50 DCO - exploded view



<https://www.carbparts.eu>

Prices and product availability are subject to change



CarbDeal
Selling carburetor parts since 2005



WEBER 50 DCO - Parts list

No	Part No	Price	Pcs	Description	No	Part No	Price	Pcs	Description
	92.0362.05	£ 0	1	Gasket Kit	34	58000.006	£ 1.6	1	Throttle Stop Screw O Ring Cap
	92.1514.05	£ 0	1	Repair Kit	35	47600.007	£ 1.9	3	Mixture Screw Spring
1	32376.003	£ 6.9	1	Jet Inspection Cover	36	64625.015	£ 4.8	1	Throttle Stop Screw
2	64700.001	£ 0.4	9	Screw	37	58602.003	£ 6.4	1	Pump Plunger
3	41550.009	£ 0	1	Jet Inspection Cover Gasket	38	10410.015	£ 6.5	1	Pump Rod
4	31734.194	£ 0	1	Carburetor Cover-50 DCO 1/SP	39	55520.004	£ 0.9	1	Throttle Shaft Lock Washer
4	31734.193	£ 0	1	Carburetor Cover-50 DCO SP	40	47600.068	£ 4	1	Pump rod Spring
5	41715.011	£ 1.5	1	Carburettor Cover Gasket	41	64750.058	£ 4.3	2	Mixture Screw
6	52000.001	£ 1.4	1	Float Pin	42	41565.015	£ 0	2	Mixture Screw O Ring
7	41030.034	£ 8.3	1	Float	43	61015.009	£ 4.3	2	Vacuum Take-Off cover
8	52580.001	£ 4	2	Emulsion Tube Holder	44	41535.021	£ 0.9	2	Pump Jet Gasket
9	77401.160	£ 2	2	Air Corrector Jet	45	64955.007	£ 10.1	1	Stud
10	61450.091	£ 5.8	2	Emulsion Tube	46	79701.100	£ 13.5	1	Pump Exhaust Valve
11	52585.006	£ 4.7	2	Idle Jet Holder	47	76801.045	£ 4.2	2	Pump Jet
12	74821.065	£ 2.5	2	Idle Jet	48	41565.009	£ 0.5	2	Pump Jet Cover O ring
13	73401.180	£ 2	2	Main Jet	49	61015.008	£ 6.5	2	Pump Jet Cover
14	68820.500	£ 49.8	2	Auxiliary Venturi	50	58300.003	£ 1.8	2	Pump Demand Valve Ball
15	72136.460	£ 16.4	2	Venturi (Choke Tube)	51	52730.001	£ 2.8	2	Pump Demand Valve Weight
16	64840.003	£ 2.9	4	Screw	52	61015.006	£ 2.8	2	Pump Demand Valve Cover
17	34715.017	£ 0.9	1	Throttle Spindle Nut	53	79503.250	£ 6.2	1	Needle Valve
18	45041.270	£ 42.7	1	Throttle Lever	54	83102.100	£ 1.4	1	Needle Valve Gasket
19	61030.008	£ 0	2	Air By-Pass Screw Cover	55	41530.031	£ 0.2	1	Fuel Union Gasket
21	55525.010	£ 0.4	5	Spring Washer	56	10354.019	£ 19.9	1	Fuel Union
22	34705.004	£ 0.5	5	Support Bracket Fixing Nut	57	41530.024	£ 0.2	2	Fuel Union and Filter Cover Gasket
23	64955.104	£ 0	1	Support Bracket Stud	58	12715.008	£ 6.5	1	Fuel Union Bolt
24	41640.066	£ 2.2	1	Bottom Cover Gasket	59	37002.002	£ 0	1	Fuel Filter
25	10020.240	£ 0	1	Throttle Shaft	60	61002.010	£ 5.4	1	Fuel Filter Cover
26	52135.025	£ 0	1	Inspection cover	61	45041.269	£ 34.5	1	Throttle Lever
27	41640.065	£ 0.7	1	Inspection Cover Gasket	62	64955.101	£ 10.9	4	Stud
28	64570.009	£ 0.6	2	Inspection Cover Fixing Screw	63	52845.015	£ 0	2	Air Horn
30	64005.135	£ 30.2	2	Throttle Plate	64	64595.012	£ 0	2	Air By-Pass Screw
31	64520.027	£ 0.5	4	Throttle Plate Fixing Screw	65	64590.008	£ 5.1	2	Progression Hole Inspection Cover
33	41565.002	£ 0.4	1	Throttle Stop Screw O Ring					

<https://www.carbparts.eu>

Prices and product availability are subject to change

