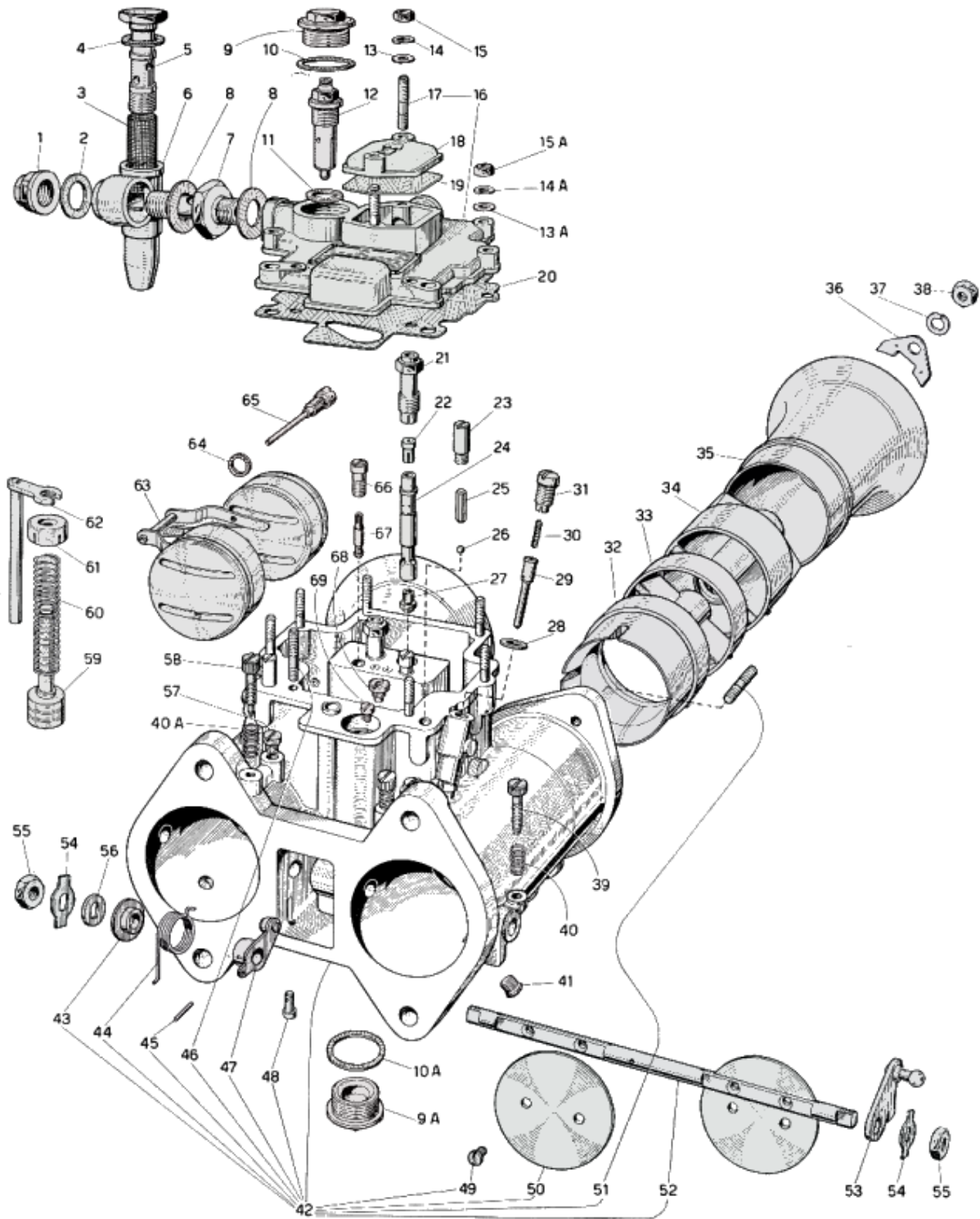




WEBER 58 DCO 3 - exploded view



<https://www.carbparts.eu>

Prices and product availability are subject to change



CarbDeal
Selling carburetor parts since 2005



WEBER 58 DCO 3 - Parts list

No	Part No	Price	Pcs	Description	No	Part No	Price	Pcs	Description
1	TS 598	\$ 0	1	Box nut for fuel filter casing	34	TS 1149a	\$ 0	2	Auxiliary venturi extension pipe
2	236	\$ 0	1	Gasket for fuel filter casing	35	TS 1142a	\$ 0	2	Additional air horn
3	TS 600	\$ 0	1	Strainer	36	TS 930	\$ 0	4	Plate securing air horn
4	TS 610	\$ 0	1	Gasket for tap	37	N 74	\$ 0	4	Spring washer for carburetor airhornfixing nut
5	TS 609	\$ 0	1	Strainer plug	38	A 458	\$ 0	4	Nut securing air horn
6	F 54	\$ 0	1	Fuel filter casing	39	970	\$ 0	1	Idling adjusting screw
7	TS 597	\$ 0	1	Connection for fuel filter casing	40A	38	\$ 0	2	Spring for idle mixture adjusting screw
8	235	\$ 0	2	Gasket for connection	40	38	\$ 0	1	Spring for idling adjusting screw
9A	TS 715	\$ 0	1	Float bowl exhaust screw plug	41	TS 240	\$ 0	2	Tapping screw for inspection holes
9	TS 715	\$ 0	1	Needle valve seat inspection tap	42	—	\$ 0	1	Carburetor body (not supplied) including:
10A	G 97	\$ 0	1	Gasket for bowl exhaust screw plug	43	TS 1178	\$ 0	1	— Washer for spring
10	G 97	\$ 0	1	Gasket for needle valve seat inspection tap	44	TS 1176	\$ 0	1	— Throttle return spring
11	233	\$ 0	1	Gasket for needle valve seat	45	1349	\$ 0	1	— Spring pin
12	TS 1407a/m	\$ 0	1	Needle valve seat	46	A 333	\$ 0	7	— Stud bolt securing carburetor cover
13	1356	\$ 0	2	Vasher for carburetor small lid fixing nut	47	TS 945a	\$ 0	1	— Pump control lever
13A	1356	\$ 0	7	Washer for carburetor cover fixing nut	48	TS 1177	\$ 0	1	— Spring retainer
14A	41	\$ 0	7	Spring washer for carburetor cover fixing nut	49	767	\$ 0	4	— Throttles fixing screw
14	41	\$ 0	2	Spring washer for carburetor small lid fixing nut	50	TS 1141	\$ 0	2	— Throttle valve
15	51	\$ 0	2	Carburetor small lid fixing nut	51	TS 1031	\$ 0	4	— Stud bolt securing air horn
15A	51	\$ 0	7	Carburetor cover fixing nut	52	TS 1420	\$ 0	1	— Throttles shaft
16	TS 922a	\$ 0	1	Carburetor cover, including:	53	LP 187a	\$ 0	1	Throttles control lever
17	1366	\$ 0	2	— Stud bolt securing small lid	54	2464	\$ 1.8	2	Lock washer with double tab
18	TS 923	\$ 0	1	Small lid for jets inspection	55	865	\$ 0	2	Fixing nut
19	TS 927	\$ 0	1	Gasket for small lid	56	6	\$ 0	1	Distance v/asher
20	TS 928	\$ 0	1	Gasket for carburetor cover	57	TS 625	\$ 0	2	Transition holes inspection screw
21	TS 670	\$ 0	2	Emulsifying tube holder	58	864	\$ 0	2	Idle mixture adjusting screw
22	969	\$ 0	2	Emulsion tube air corrector jet	59	TS 831	\$ 0	1	Pump piston
23	TS 1032	\$ 0	2	Screw for stuffing ball	60	TS 505	\$ 0	1	Pump piston spring
24	TS 671	\$ 0	2	Emulsifying tube	61	TS 504	\$ 0	1	Retainer for pump piston spring
25	TS 1033	\$ 0	2	Stuffing ball for high speed valve	62	TS 1152a	\$ 0	1	Pump control shaft
26	756	\$ 0	2	Ball for high speed valve	63	TS 752a	\$ 0	1	Float
27	TS 195	\$ 0	2	Main jet	64	1937	\$ 0	1	Gasket for float fulcrum scre
28	TS 724	\$ 0	2	Gasket for pump jet	65	TS 744a	\$ 0	1	Float fulcrum screw
29	TS 251	\$ 0	2	Pump jet	66	TS 864	\$ 0	2	Idling jet holder
30	817	\$ 0	2	Spring for pump jet	67	TS 865	\$ 0	2	Idling jet
31	TS 723	\$ 0	2	Pump jet holder	68	937a	\$ 0	1	Pump intake valve
32	TS 1418a	\$ 0	2	Choke	69	TS 510	\$ 0	1	Pump discharge screw
33	TS 1146a	\$ 0	2	Auxiliary venturi					

<https://www.carbparts.eu>

Prices and product availability are subject to change

